

DIMENSIONS & DATA CERTIFIED FOR:

Representative:

Order:

Customer:

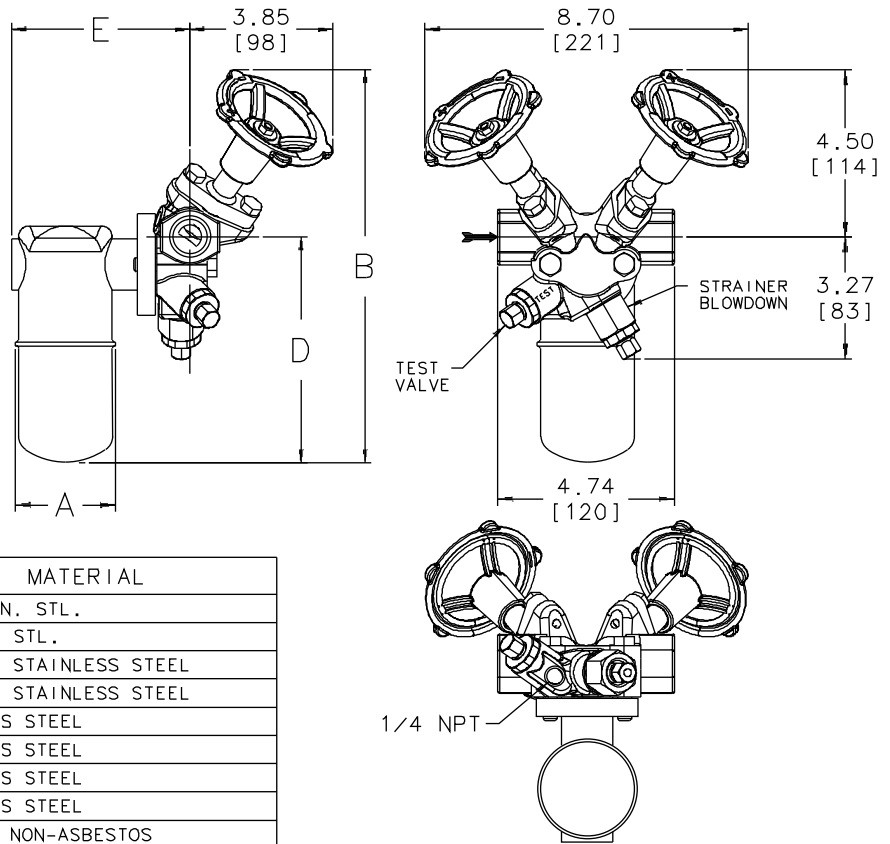
Order:

Project:

Requirements:

By:

Date:



MODEL	A	B	D	E
2010	2.69 [68]	9.57 [243]	5.07 [129]	4.80 [122]
2011	2.69 [68]	10.57 [268]	6.07 [154]	4.80 [122]
2022	3.89 [99]	12.57 [319]	8.07 [205]	5.87 [149]

DIMENSIONS IN [] ARE IN MM

	NAME OF PART	MATERIAL
TRAP COMPONENTS	CAP & BODY	304-L STN. STL.
	CONNECTIONS	304 STN. STL.
	PCA VALVE SEAT	HARDENED STAINLESS STEEL
	PCA VALVE	HARDENED STAINLESS STEEL
	VALVE RETAINER	STAINLESS STEEL
	LEVER	STAINLESS STEEL
	GUIDE PLATE ASS'Y	STAINLESS STEEL
	BUCKET	STAINLESS STEEL
	GASKET, CONNECTOR	304 S.S. NON-ASBESTOS
	RETAINING RING	CARBON STEEL
	FLANGE	FORGED CARBON STEEL
	FLANGE RETAINER	304 STN. STL.
	BOLT	ASTM A193 GR. B7
CONNECTOR COMPONENTS	BODY	ASTM A351 GR. CF8M
	HANDWHEEL	CAST IRON
	BONNET	ASTM A351 GR. CF8M
	BOLTS	DIN 933 GR. A2 STN. STL.
	VALVE PLUGS	Z6 CDF 18.02 STN. STL.
	LANTERN BUSHINGS	AISI 304L STN. STL.
	VALVE RINGS	GRAPHITE & STN. STL.
	VALVE WASHER	AISI 304L STN. STL.
	DISC SPRINGS	Z12 CN 17.07 STN. STL.
	NUT	AISI 304L STN. STL.
	FLAT WASHERS	AISI 304L STN. STL.
	SCREEN	ASTM A167 304 SS 20x20 MESH
	GASKET, RETAINER	ASTM A167 316 SS
STRAINER BLOWDOWN ASS'Y	STN. STL.	
TEST VALVE ASS'Y	STN. STL.	

OPTIONS											
CONNECTIONS - 1/2 & 3/4 NPT, BSPT & SW											
LEFT-TO-RIGHT FLOW											
RIGHT-TO-LEFT FLOW											
<table border="1"> <tr> <td>MAXIMUM ALLOWABLE PRESSURE (VESSEL DESIGN)</td> <td>2010</td> <td>400 psig at 750°F</td> </tr> <tr> <td></td> <td>2011</td> <td>400 psig at 750°F</td> </tr> <tr> <td></td> <td>2022</td> <td>650 psig at 600°F</td> </tr> </table>			MAXIMUM ALLOWABLE PRESSURE (VESSEL DESIGN)	2010	400 psig at 750°F		2011	400 psig at 750°F		2022	650 psig at 600°F
MAXIMUM ALLOWABLE PRESSURE (VESSEL DESIGN)	2010	400 psig at 750°F									
	2011	400 psig at 750°F									
	2022	650 psig at 600°F									
<table border="1"> <tr> <td>MAXIMUM OPERATING PRESSURE</td> <td>2010</td> <td>200 psig</td> </tr> <tr> <td></td> <td>2011</td> <td>400 psig</td> </tr> <tr> <td></td> <td>2022</td> <td>650 psig</td> </tr> </table>			MAXIMUM OPERATING PRESSURE	2010	200 psig		2011	400 psig		2022	650 psig
MAXIMUM OPERATING PRESSURE	2010	200 psig									
	2011	400 psig									
	2022	650 psig									
<table border="1"> <tr> <td>WEIGHT:</td> <td>2010</td> <td>9.0 lbs</td> </tr> <tr> <td></td> <td>2011</td> <td>9.5 lbs</td> </tr> <tr> <td></td> <td>2022</td> <td>12.0 lbs</td> </tr> </table>			WEIGHT:	2010	9.0 lbs		2011	9.5 lbs		2022	12.0 lbs
WEIGHT:	2010	9.0 lbs									
	2011	9.5 lbs									
	2022	12.0 lbs									


 Armstrong International, Inc.
 Three Rivers Division
 Three Rivers, MI 49093
Armstrong (616) 273-1415 Fax(616) 273-9500
 Posted on Armstrong's homepage www.armstrong-intl.com

Product	CD No.	Date
TVS4000	1232	10/10/00
W/2010/2011/2022 TRAP		Rev. A

3-RIGHT