

DIMENSIONS & DATA CERTIFIED FOR:

Representative:

Order:

Customer:

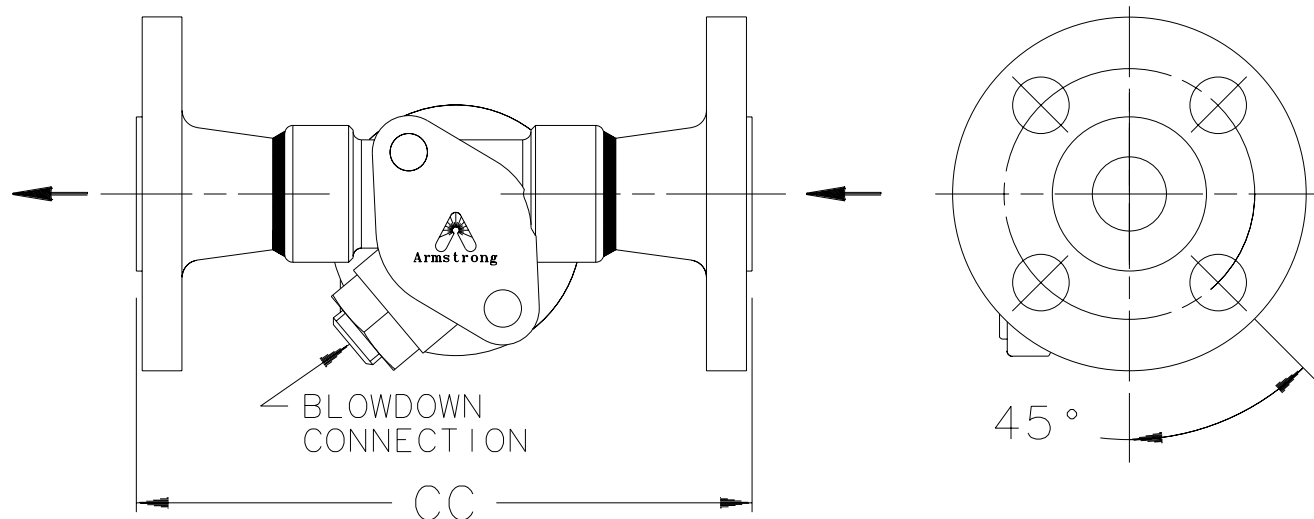
Order:

Project:

Requirements:

By:

Date:



CL 150, 3/4" CONN. SHOWN ABOVE
FLANGES COMPLY W/ ANSI B16.5

MODEL NO.	IS-2			
FLANGE CONNECTION	1/2[DN15]	3/4[DN20]	1"[DN25]	
"CC" FACE-TO-FACE	CL .150	6-5/8[168]	6-3/4[171]	7-1/4[184]
	CL .300	7[178]	7-1/8[181]	8[203]
	CL .600	8-1/4[210]	8[203]	8-1/2[216]
BLOWDOWN CONN. (NPT)	1/4[6]			
WEIGHT, lbs [kgs]	CL .150	3.9[1.8]	5.2[2.4]	7.2[3.3]
	CL .300	5.2[2.4]	7.8[3.6]	9.2[4.2]
	CL .600	6[2.7]	8.3[3.8]	10.4[4.7]
MAXIMUM ALLOWABLE PRESSURE (VESSEL DESIGN)	400 psig[28bar] at 800°F[427°C]			

Dimensions Are In Inches[mm]

LIST OF MATERIALS:

NAME OF PART	MATERIAL
CONNECTOR BLOCK	ASTM A351 GR. CF8 T304 SS
GASKET, CONNECTOR	T304 SS NON-ASBESTOS
RETAINING RING	CARBON STEEL
FLANGE	ASTM A105 CARBON STEEL
RETAINER, FLANGE	ASTM A276 T304 SS
SCREEN	ASTM A167 T304 SS, 20x20 MESH
RETAINER, SCREEN	ASTM A479 T304 SS
GASKET, RETAINER	ASTM A167 T316 SS
PLUG, PIPE	CARBON STEEL

Armstrong International, Inc.
Three Rivers Division
Three Rivers, MI 49093
(616) 273-1415 Fax(616) 278-6555
Posted on Armstrong's homepage www.armstrong-intl.com

Product	CD No.	Date
IS-2 CONNECTOR W/ RF FLGS.	1214	8/16/00
		Rev. A