

# DIMENSIONS & DATA CERTIFIED FOR:

Representative:

Order:

Customer:

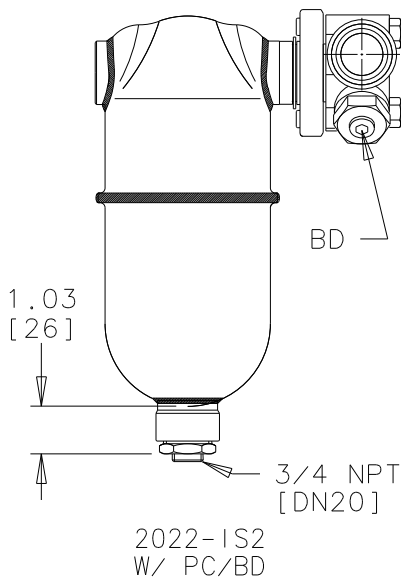
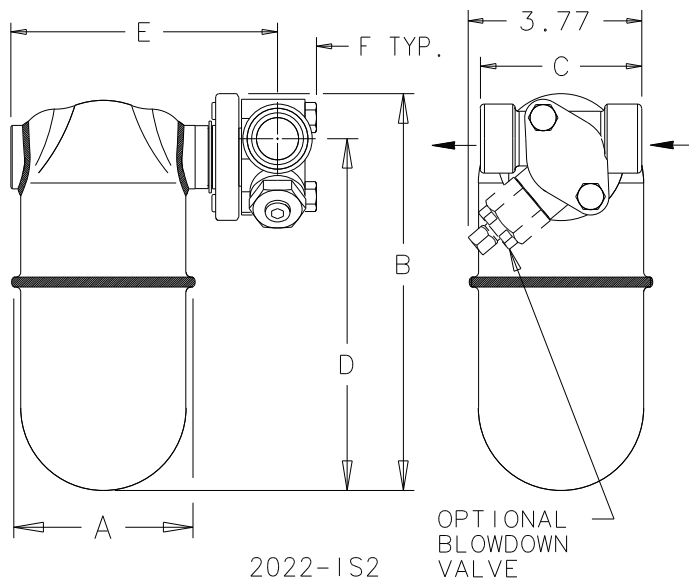
Order:

Project:

Requirements:

By:

Date:



Dimensions Are In Inches [mm]

## LIST OF MATERIALS:

NAME OF PART	MATERIAL
CAP & BODY	ASTM A167 T304L SS
MECHANISM SUPPORT	ASTM A479 T304 SS
VALVE SEAT/VALVE	17-4 PH
BUCKET	ASTM A167 T304 SS
RETAINER, VALVE	ASTM A167 T302 SS
LEVER	CARPENTER 20Cb-3 SS
GUIDE PLATE ASS'Y	ASTM A240 T304 SS
GASKET, CONNECTOR	T304 SS NON-ASBESTOS
RETAINER RING	CARBON STEEL
FLANGE	ASTM A105 CARBON STEEL
RETAINER, FLANGE	ASTM A276 T304 SS
CONNECTOR BLOCK	ASTM A351 GR. CF8 T304 SS
SCREEN	ASTM A167 T304 SS
RETAINER, SCREEN	ASTM A479 T304 SS
GASKET, RETAINER	ASTM A167 T316 SS
PLUG, PIPE	CARBON STEEL
BOLTS	ASTM A193 GR. B7

## TECHNICAL INFORMATION

MODEL NO.	2022-1S2 & 2022-1S2 W/PC/BD	
CONNECTIONS	1/2 [DN15]	1" [DN25]
	3/4 [DN20]	
"A" (BODY $\phi$ )	3-7/8 [98]	
"B" (HEIGHT)	8-5/8 [219]	
"C" (FACE TO FACE)	3-1/2 [89]	4 [102]
"D" (BOTTOM TO $\phi$ INLET)	7-5/8 [194]	
"E" ( $\phi$ TO OUTSIDE)	5-3/4 [146]	5-7/8 [149]
"F" ( $\phi$ TO BOLT)	7/8 [22]	11/16 [18]
"BD" (BLOWDOWN CONN.)	1/4 NPT [6]	
WEIGHT	W/OUT PC/BD	
	W/ PC/BD	
	7 lbs [3.2 kgs]	
	7-1/2 lbs [3.4 kgs]	

### OPTIONS:

CONNECTIONS - NPT, BSPT OR SW	
LEFT-TO-RIGHT FLOW	
RIGHT-TO-LEFT FLOW	
BLOWDOWN VALVE	

## DESIGN INFORMATION

MAXIMUM ALLOWABLE PRESSURE (VESSEL DESIGN)	650 psig at 600°F [45 bar at 315°C]
MAXIMUM OPERATING PRESSURE	650 psig [45 bar]



Armstrong International, Inc.  
Three Rivers Division  
Three Rivers, MI 49093

Armstrong (269) 273-1415 Fax(269) 278-6555  
Posted on Armstrong's homepage www.armstronginternational.com

Product

CD No.

Date

TRAP  
2022-1S2

1207

4/30/02

Rev; C

By; Paul G.