

DIMENSIONS & DATA CERTIFIED FOR:

Representative:

Order:

Customer:

Order:

Project:

Requirements:

By:

Date:

LIST OF MATERIALS:

NAME OF PART	MATERIAL
CAP & BODY	ASTM A167 T304L SS
MECHANISM SUPPORT	ASTM A479 T304 SS
VALVE SEAT/VALVE	17-4 PH
BUCKET	ASTM A167 T304 SS
RETAINER, VALVE	ASTM A167 T302 SS
LEVER	CARPENTER 20Cb-3 SS
GUIDE PLATE ASS'Y	ASTM A240 T304 SS
GASKET, CONNECTOR	T304 SS NON-ASBESTOS
RETAINER RING	CARBON STEEL
FLANGE	ASTM A105 CARBON STEEL
RETAINER, FLANGE	ASTM A276 T304 SS
CONNECTOR BLOCK	ASTM A479 T304 SS
PLUG, PIPE	CARBON STEEL
BOLTS	ASTM A193 GR. B7

TECHNICAL INFORMATION

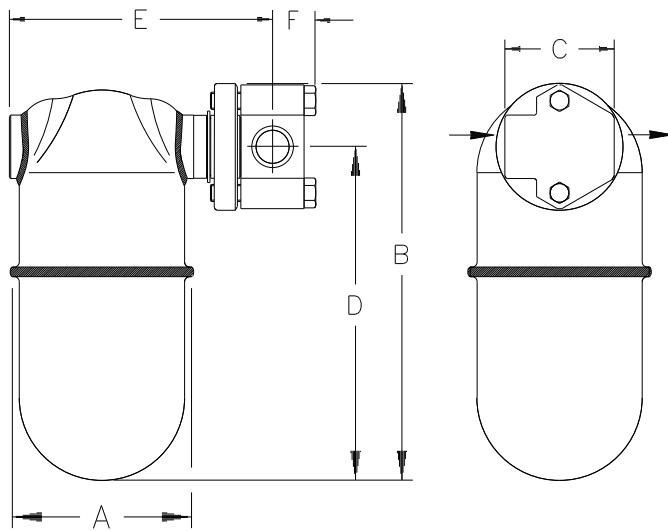
MODEL NO.	2022 & 2022 W/PC/BD
CONNECTIONS	1/2 [DN15] 3/4 [DN20]
"A" (BODY ϕ)	3-7/8 [98]
"B" (HEIGHT)	8-5/8 [219]
"C" (FACE TO FACE)	3-1/2 [89]
"D" (BOTTOM TO ϕ INLET)	7-1/4 [184]
"E" (ϕ TO OUTSIDE)	5-11/16 [144]
"F" (ϕ TO BOLT)	1" [25]
WEIGHT W/OUT PC/BD	7 lbs [3.2 kgs]
W/ PC/BD	7-1/2 lbs [3.4 kgs]

OPTIONS:

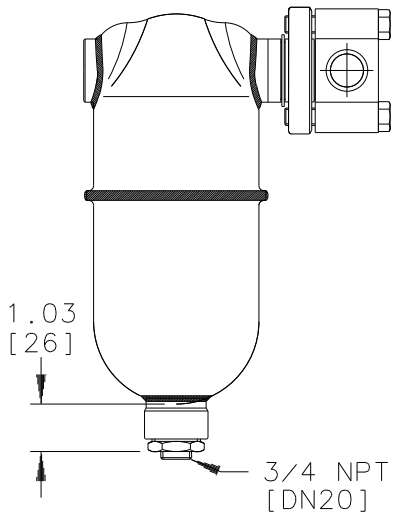
CONNECTIONS - NPT, BSPT OR SW	
NPT	
BSPT	
SW	

DESIGN INFORMATION

MAXIMUM ALLOWABLE PRESSURE (VESSEL DESIGN)	650 psig at 600°F [45 bar at 315°C]
MAXIMUM OPERATING PRESSURE	650 psig [45 bar]



2022



2022
W/ PC/BD

Dimensions Are In Inches [mm]


Armstrong International, Inc.
 Three Rivers Division
 Three Rivers, MI 49093
 (269) 273-1415 Fax(269) 278-6555
 Posted on Armstrong's homepage www.armstronginternational.com

Product	CD No.	Date
TRAP 2022 2022-PC/BD	1206	4/30/02
Rev; B	By; Paul G.	