

DIMENSIONS & DATA CERTIFIED FOR:

Representative:

Order:

Customer:

Order:

Project:

Requirements:

By:

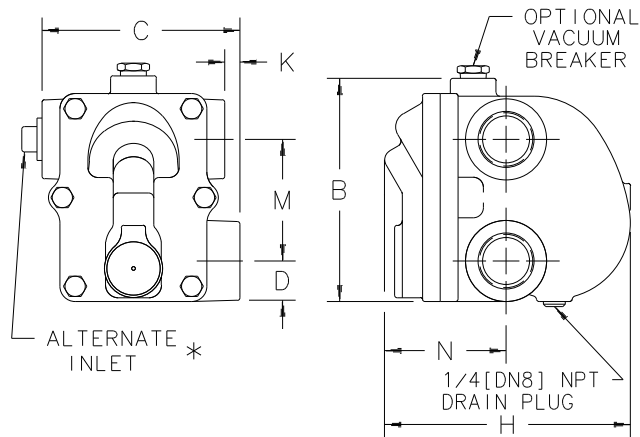
Date:

LIST OF MATERIALS:

NAME OF PART	MATERIAL
Cap & Body	ASTM A48 Class 30
Bolting	SAE Grade 2
Gasket	Graphite W/ Surlyn
Valve	440 SS
Valve Seat	T303 SS (440F, 1-1/2[DN25] Size & Larger) ASTM A582
Float	T304 SS
Mechanism	SS
Balanced Pressure Thermostatic Air Vent	SS & Bronze W/ Phosphor Bronze Bellows, Entire Unit Caged In SS.

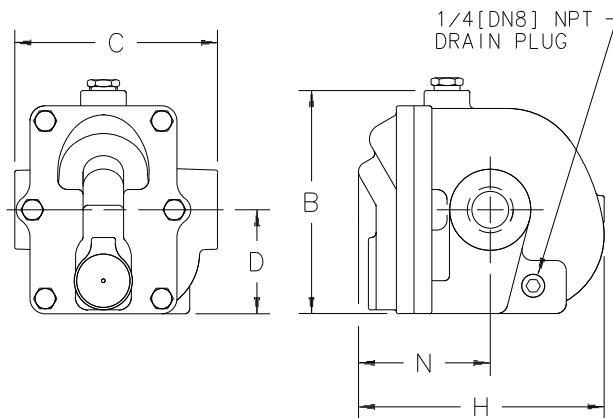
TECHNICAL INFORMATION:

MODEL	B2-B3	B4-B5	
Pipe Connections	* 1/2[DN15] 3/4[DN20]	1"[DN25]	1-1/4[DN32]
"B" (Height)	4-7/8[124]	5-1/2[140]	5-1/2[140]
"C" (Face to Face)	3-7/8[98]	4-7/8[124]	4-5/8[117]
"D" (Bottom to ϕ)	7/8[22]	1"[25]	1-7/32[31]
"H" (Width)	5-3/8[137]	6[152]	7-3/4[197]
"K" (Conn. Offset)	1/8[3]	3/8[10]	—
"M" (ϕ to ϕ)	2-3/4[70]	3[76]	3[76]
"N" (Top to ϕ)	2-9/16[65]	3[76]	3-3/8[86]
Weight: lbs [kg]	6[3]	8-1/2[4]	11[5]
Maximum Allowable Pressure (Vessel Design)	125 psig at 353°F [9 bar at 178°C]	175 psig @ 377°F [12 bar @ 191°C]	
Maximum Operating Pressure (psig)	30 psig[2 bar] Saturated Steam		
MODEL	B6-B8		B I
Pipe Connections	1-1/2[DN40]	2[DN50]	1/2[DN15] 3/4[DN20] 1"[DN25]
"B" (Height)	7-7/16[189]	9-5/8[244]	5-5/8[143]
"C" (Face to Face)	5-3/4[146]	7-5/8[194]	5[127]
"D" (Bottom to ϕ)	1-7/16[37]	1-11/16[43]	2-11/16[68]
"H" (Width)	8-7/16[214]	11-5/8[295]	6-5/8[168]
"K" (Conn. Offset)	—	—	—
"M" (ϕ to ϕ)	4-3/16[106]	6[152]	
"N" (Top to ϕ)	3-3/4[95]	5[127]	3-9/32[83]
Weight: lbs [kg]	19[9]	40[18]	9-3/4[4]
Maximum Allowable Pressure (Vessel Design)	175 psig at 377°F [12 bar at 191°C]		
Maximum Operating Pressure (psig)	30 psig[2 bar] Saturated Steam		



SERIES "B"

* Except 1/2 & 3/4 Conns.



SERIES "BI"

Dim. Are In Inches[mm]

DESIGN INFORMATION:

OPTIONS:
CONNECTIONS, NPT OR BSPT
INTEGRAL VACUUM BREAKER <input type="checkbox"/>



Product
STEAM TRAP
F&T
B & BI SERIES

ENGLISH
WEB
Y | N
✓

CD No.
1167
Rev; D sht. 1

Date
4/22/10
By; paulg

CN22783