

DIMENSIONS & DATA CERTIFIED FOR:

Representative:

Order:

Customer:

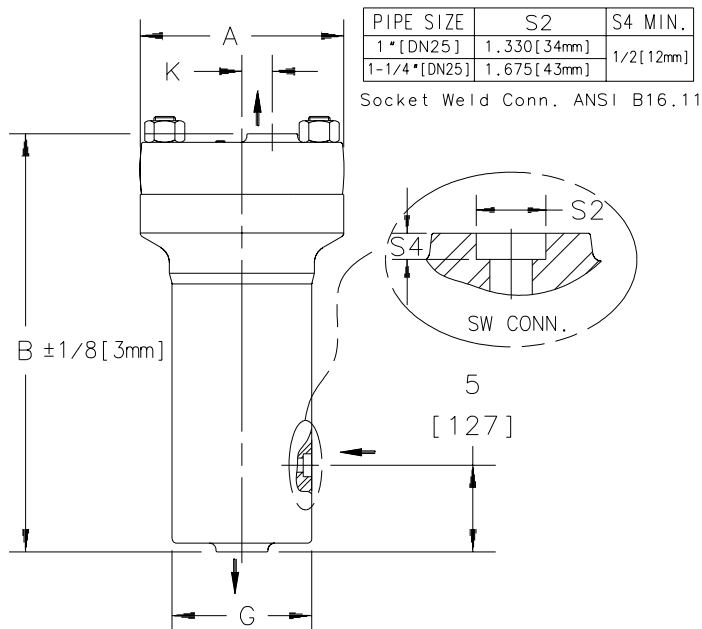
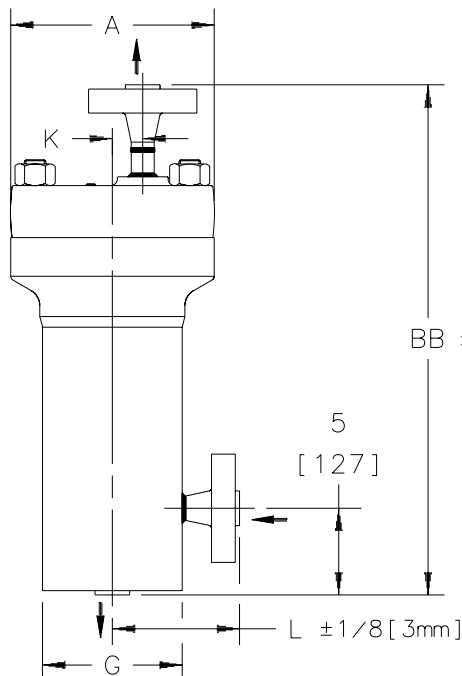
Order:

Project:

Requirements:

By:

Date:



Ass'y Shown Above 1" Conn. CL. 2500

MODEL NO.	MAX. OPER. PRESSURE PSIG [BAR]	MAX. ALLOWABLE PRESSURE (Vessel Design) PSIG [BAR] of Pressure-Containing Parts at Indicated Temp.*F [°C]							
		-20 [-29]	700	750	800	850	900	950	1000
26155G HLAR & FW	2700 [186]	650 [343]	[371]	[399]	[427]	[454]	[482]	[510]	[538]
			3500 [242]			3090 [213]	2410 [166]	1650 [114]	

LIST OF MATERIALS

CAP & BODY FORGING	ASTM A-182 F22 CLASS 3
GASKET, BODY	SPIRAL WOUND STN. STL. NON-ASBESTOS
STUDS (10)	ASTM A-193 GR. B16
NUTS (10)	ASTM A-194 GR. 2H
SEAT, VALVE	HARDENED STAINLESS STEEL
RETAINER, SEAT	STAINLESS STEEL
GASKET, SEAT	MONEL
SCREWS, RETAINER	ASTM A-193 GR. B7
VALVE	HARDENED STAINLESS STEEL
LEVER, VALVE	
RETAINER, VALVE	STAINLESS STEEL
GUIDE PIN ASSEMBLY	
FLOAT	STN. STL. W/ 316 STN. STL. WEIGHT

OPTIONS

CONNECTIONS	SOCKET WELD	
	FLANGED (RAISED FACE or RING JOINT)	
CLASS	900/1500 <input type="checkbox"/>	2500 <input type="checkbox"/>

- NOTE:
1. DIMENSIONS ARE IN INCHES
 2. FLG. BOLT HOLES STRADDLE ⌀

MODEL NO.	SW FLANGE	26155G HLAR
		26155G HLAR FW
CONNECTIONS		
1" [DN25], 1-1/4" [DN32]		
"A" (FLANGE, BODY DIA.)		11-3/4 [298mm]
"B" (HEIGHT, SW)		24-1/8 [613mm]
"BB" (HEIGHT, FLANGED)	CLASS 1"	28-13/16 [732mm]
	900/1500	1-1/4" 29-7/16 [748mm]
"L" (FLANGE TO ⌀ OF BODY)	CLASS 1"	7-11/32 [186mm]
	2500	1-1/4" 7-19/32 [193mm]
"G" (BODY OD)		8-1/16 [205mm]
"K" (⌀ OUTLET TO ⌀ INLET)		1-3/4 [44mm]
WEIGHT, Lb [kg]	SW	295 lb [134]
	FLANGED	1" 307 lb [140] ±4 lb [2]
		1-1/4" 310 lb [141]



Armstrong International, Inc.
Three Rivers Division
Three Rivers, MI 49093

Armstrong (616) 273-1415 Fax (616) 278-6555
Posted on Armstrong's homepage www.armstrong-intl.com

Product	CD No.	Date
AIR RELEASE TRAP 26155G HLAR SOCKET WELD & FLANGED	1114	02/20/99
		Rev. A