

DIMENSIONS & DATA CERTIFIED FOR:

Representative:

Order:

Customer:

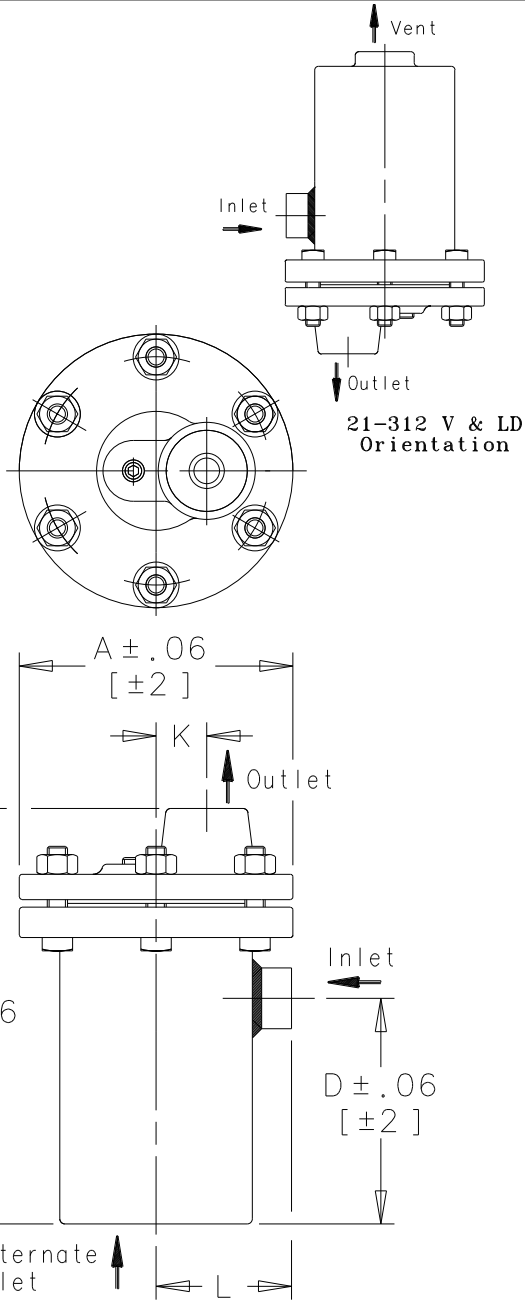
Order:

Project:

Requirements:

By:

Date:



LIST OF MATERIALS:

| NAME OF PART | MATERIAL |
|--------------|--------------------------|
| CAP & BODY | ASTM A105 (FORGED STEEL) |
| VALVE SEAT | HARDENED STAINLESS STEEL |
| VALVE | |
| LEVER ASS'Y | STAINLESS STEEL |
| FLOAT | |
| GASKET | GRAPHITE FOIL |

TECHNICAL INFORMATION

| | | | |
|--|--------------------------------|-------------|-------------|
| MODEL NO. | 21-312 AR/VAR 21-312 V & LD | | |
| PIPE CONNECTIONS THD. SW | 1/2 [DN15] | 3/4 [DN20] | 1" [DN25] |
| "A" (FLG. DIAMETER) | 6-3/4 [171] | | |
| "B" (HEIGHT) | 10-1/4 [260] | | |
| "D" (BOTTOM TO ϕ INLET) | 5-9/16 [141] | | |
| "K" (ϕ OF TRAP TO ϕ OUTLET) | 1-1/4 [32] | | |
| "L" (ϕ OF TRAP TO INLET) | 3-9/32[83] | 3-11/32[85] | 3-21/32[93] |
| WEIGHT | 30 lbs [14 kgs] | | |

DESIGN INFORMATION

| | |
|--|--|
| MAXIMUM ALLOWABLE PRESSURE (VESSEL DESIGN) | 600 psig at 100°F [41 bar at 38°C] |
| | 500 psig at 750°F [34 bar at 399°C] |



Product

ENGLISH

CD No.

Date

21-312 AR/VAR
21-312 V & LD

WEB
Y | N
✓

1106

7/5/07

Rev; B

By; Paul G.