

DIMENSIONS & DATA CERTIFIED FOR:

Representative:

Order:

Customer:

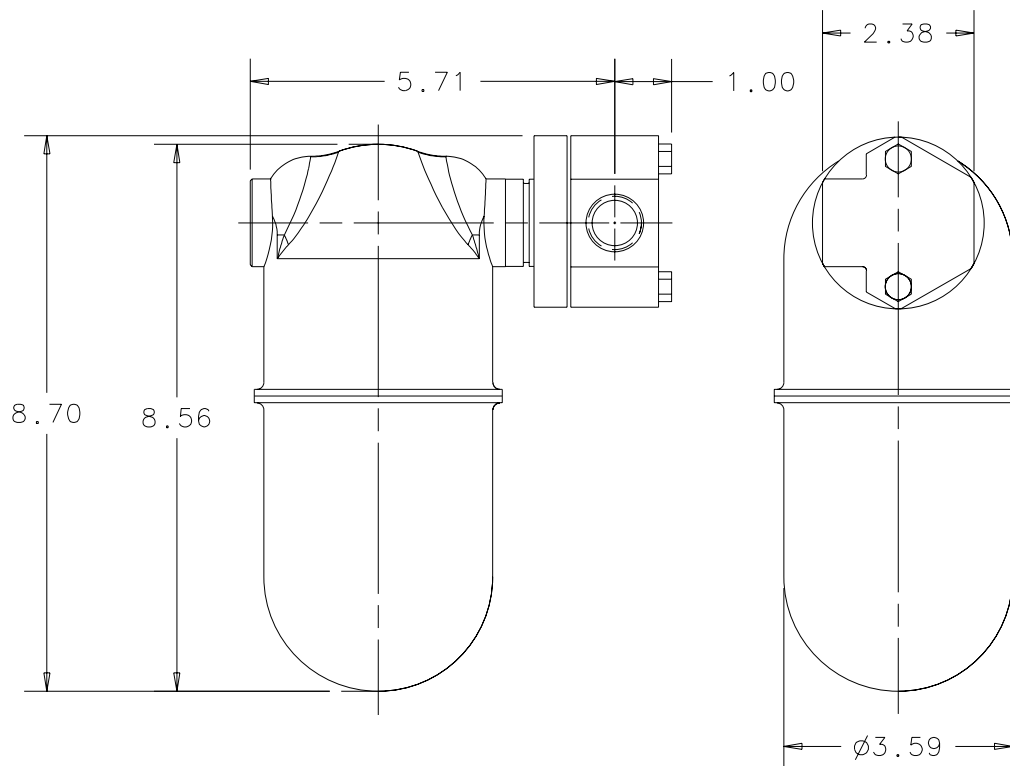
Order:

Project:

Requirements:

By:

Date:



NAME OF PART	MATERIAL
CAP & BODY	304-L STN. STL.
MECHANISM SUPPORT	304 STN. STL.
VALVE SEAT	HARDENED STAINLESS STEEL
VALVE	HARDENED STAINLESS STEEL
VALVE RETAINER	STAINLESS STEEL
LEVER	STAINLESS STEEL
GUIDE PIN ASS'Y	STAINLESS STEEL
BUCKET	STAINLESS STEEL
CONNECTOR BLOCK	304 STN. STL.
CONNECTOR GASKET	304 S.S. NON-ASBESTOS
RETAINING RING	CARBON STEEL
FLANGE	FORGED CARBON STEEL
FLANGE RETAINER	304 STN. STL.
BOLT	ASTM A193 GR. B7

MAXIMUM ALLOWABLE PRESSURE			
PRESSURE		TEMPERATURE	
psig	bar	°F	°C
683	47	400	204
669	46	500	260
650	45	600	315
627	43	700	371
604	41.6	800	427


 Armstrong International, Inc.
 Three Rivers Division
 Three Rivers, MI 49093
 (616) 273-1415 Fax(616) 278-6555
 Posted on Armstrong's homepage www.armstrong-intl.com

Product	CD No.	Date
STEAM TRAP MODEL 2022 W/CONN. BLK	1087	3/01/00
		Rev. B

DIMENSIONS & DATA CERTIFIED FOR:

Representative:

Order:

Customer:

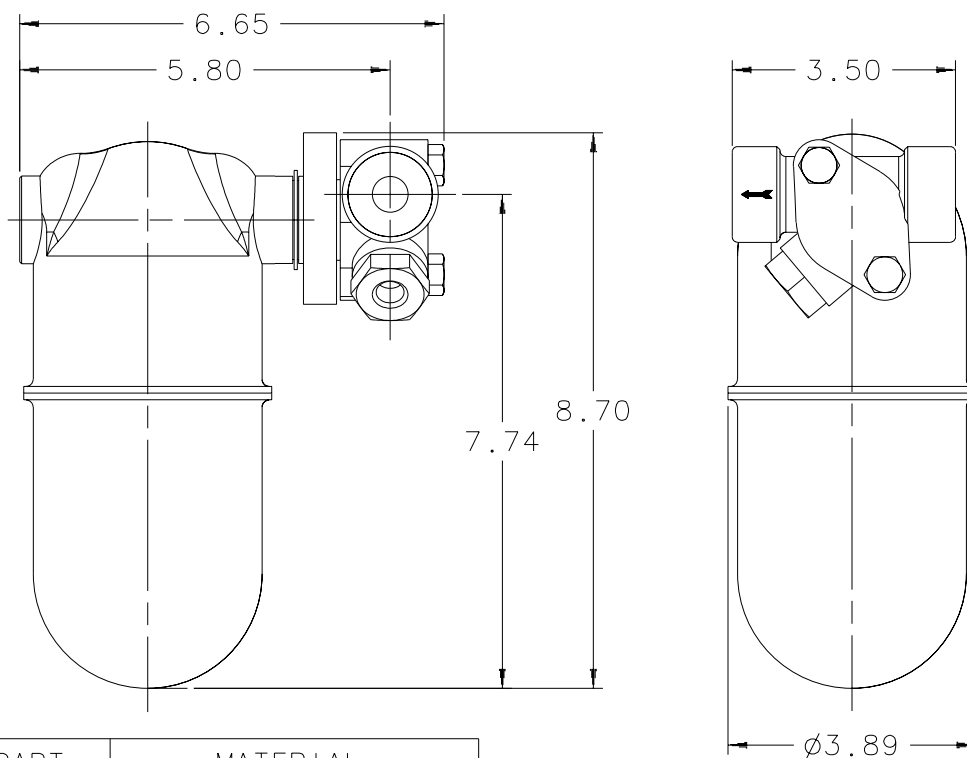
Order:

Project:

Requirements:

By:

Date:



NAME OF PART	MATERIAL
CAP & BODY	304-L STN. STL.
MECHANISM SUPPORT	304 STN. STL.
VALVE SEAT	HARDENED STAINLESS STEEL
VALVE	HARDENED STAINLESS STEEL
VALVE RETAINER	STAINLESS STEEL
LEVER	STAINLESS STEEL
GUIDE PIN ASS'Y	STAINLESS STEEL
BUCKET	STAINLESS STEEL
IS2 CONNECTOR BLOCK	304 STN. STL.
CONNECTOR GASKET	304 S.S. NON-ASBESTOS
RETAINING RING	CARBON STEEL
FLANGE	FORGED CARBON STEEL
FLANGE RETAINER	304 STN. STL.
BOLTS	ASTM A193 GR. B7
SCREEN	304 STN. STL. 20X20 MESH
SCREEN RETAINER	304 STN. STL.
RETAINER GASKET	316 STN. STL.

MAXIMUM ALLOWABLE PRESSURE			
PRESSURE		TEMPERATURE	
psig	bar	°F	°C
683	47	400	204
669	46	500	260
650	45	600	315
627	43	700	371
604	41.6	800	427

Armstrong International, Inc.
 Three Rivers Division
 Three Rivers, MI 49093
 (616) 273-1415 Fax(616) 278-6555
 Posted on Armstrong's homepage www.armstrong-intl.com

Product	CD No.	Date
STEAM TRAP MODEL 2022 W/IS2 CONN.	1087	3/01/00
		Rev. B