

# DIMENSIONS & DATA CERTIFIED FOR:

Representative:

Order:

Customer:

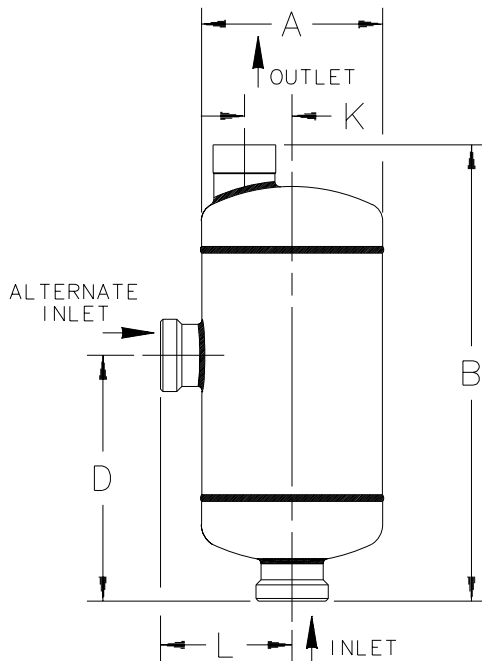
Order:

Project:

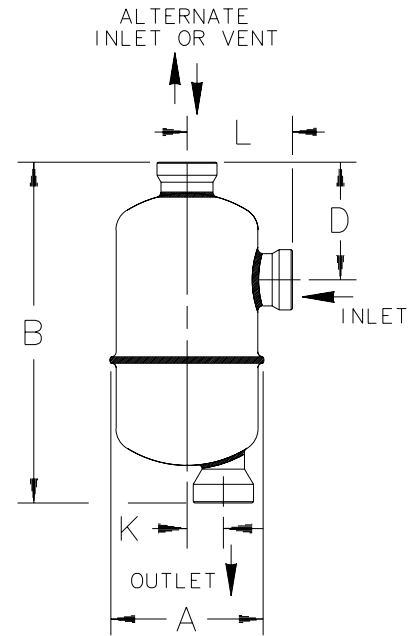
Requirements:

By:

Date:



**13-AV**

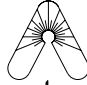


**12-LD**

Dimensions A & B  $\pm 1/16"$  [2mm]

MODEL NO.	13-AV/LD	12-AV/LD	12-LD
PIPE CONNECTIONS	1" NPT [DN25] & 1" SW	3/4" NPT [DN20]	3/4" SW
"A" (BODY DIAMETER)	4-1/2" [114 mm]	3-13/16" [97 mm]	
"B" (HEIGHT)	11-3/8" [289 mm]	8-13/16" [224 mm]	8-1/2" [216 mm]
"D" (BOTTOM TO $\phi$ INLET)	6-1/8" [155 mm]	3" [76 mm]	2-15/16" [75 mm]
"K" ( $\phi$ OF TRAP TO $\phi$ OUTLET)	1-3/16" [30 mm]	15/16" [24 mm]	
"L" ( $\phi$ OF TRAP TO INLET)	3-9/32" [83 mm]	2-5/8" [67 mm]	
WEIGHT	7-1/2 lbs [3.4 kgs]	3-1/4 lbs [1.5 kgs]	
MAXIMUM ALLOWABLE PRESSURE (VESSEL DESIGN)	570 psig at 100°F [39 bar at 38°C] 490 psig at 500°F [34 bar at 260°C]	600 psig at 100°F [41 bar at 38°C] 475 psig at 500°F [33 bar at 260°C]	

LIST OF MATERIALS	
NAME OF PART	MATERIAL
CAP & BODY	T304-L SS
VALVE SEAT	HARDENED STAINLESS STEEL
VALVE	
LEVER ASS'Y	T304 SS
FLOAT	



Armstrong International, Inc.  
Three Rivers Division  
Three Rivers, MI 49093  
**Armstrong** (616) 273-1415 Fax(616) 278-6555  
Posted on Armstrong's homepage [www.armstrong-intl.com](http://www.armstrong-intl.com)

Product	CD No.	Date
13-AV/LD	1041	10/20/98
12-AV/LD		Rev. B