

DIMENSIONS & DATA CERTIFIED FOR:

Representative:

Order:

Customer:

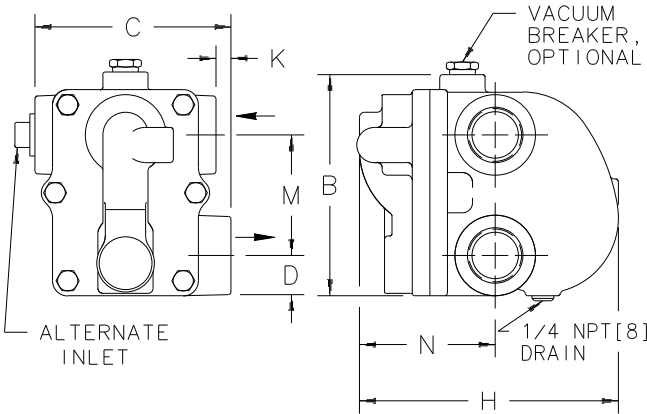
Order:

Project:

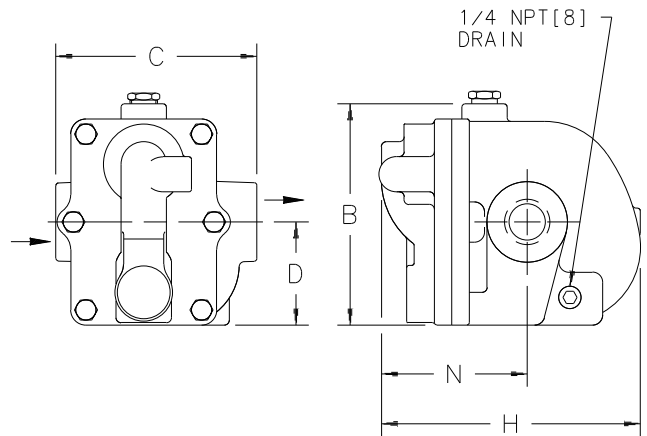
Requirements:

By:

Date:



SERIES "A"



SERIES "AI"

LIST OF MATERIALS:

NAME OF PART	MATERIAL
Cap and Body	ASTM A48 Class 30
Bolting	SAE Grade 2
Gasket	Graphite with Surlyn
Valve	T440 Stainless Steel
Valve Seat	T303 Stainless Steel * ASTM A582
Float	T304 Stainless Steel
Mechanism	Stainless Steel
Air Vent, Balanced Pressure Thermostatic	Stainless Steel And Bronze W/ Phosphor Bronze Bellows.

TECHNICAL INFORMATION

TRAP SERIES	A SERIES			
Pipe Connections	3/4[DN20] 1*[DN25]	1-1/4[DN32]	1-1/2[DN40]	2[DN50]
"B" (Height)	5-1/2[140]	5-13/16[148]	7-7/16[189]	9-3/4[248]
"C" (Face to Face)	4-7/8[124]	4-5/8[117]	5-3/4[146]	7-5/8[194]
"D" (Bottom to ϕ)	1*[25.4]	1-7/32[31]	1-13/32[36]	1-11/16[43]
"H" (Width)	6-7/16[164]	8-1/8[206]	8-7/16[214]	11-5/8[295]
"K" (Conn. Offset)	3/8[10]	—	—	—
"M" (ϕ to ϕ)	3[76]	—	4-3/16[106]	6[152]
"N" (Top to ϕ)	3-3/8[86]	3-3/4[95]	3-3/4[95]	5[127]
Weight: lbs[kgs]	9-1/2[4] 8-1/4[3.8]	11 [5]	18-3/4[9]	40 [18]

TRAP SERIES	AI SERIES			
Pipe Connections	1/2[DN15], 3/4[DN20], 1*[DN25]			
"B" (Height)	5-1/2[140]			
"C" (Face to Face)	5[127]			
"D" (Bottom to ϕ)	2-9/16[65]			
"H" (Width)	6-1/2[165]			
"K" (Conn. Offset)	—			
"M" (ϕ to ϕ)	—			
"N" (Top to ϕ)	3-11/16[93]			
Weight: lbs[kgs]	9-3/4 [4.4]			

OPTIONS:

CONNECTION	NPT	<input type="checkbox"/>	<input type="checkbox"/>
	BSPT	<input type="checkbox"/>	<input type="checkbox"/>
INTEGRAL VACUUM BREAKER	<input type="checkbox"/>		

DESIGN INFORMATION

Maximum Allowable Pressure(Vessel Design)	175 psig [12 bar] @ 450°F [232°C]
Maximum Operating Pressure (psig)	175 psig[12 bar], Saturated Steam

NOTES:
 1. Dimensions Are In Inches [mm]
 2. 1-1/2[DN40] & 2[DN50], 440F SS *



Product	ENGLISH	CD No.	Date
A & AI SERIES FLOAT/THERMOSTATIC STEAM TRAP		1009	4/29/09
		Rev; E	By; paulg