

DIMENSIONS & DATA CERTIFIED FOR:

Representative:

Order:

Customer:

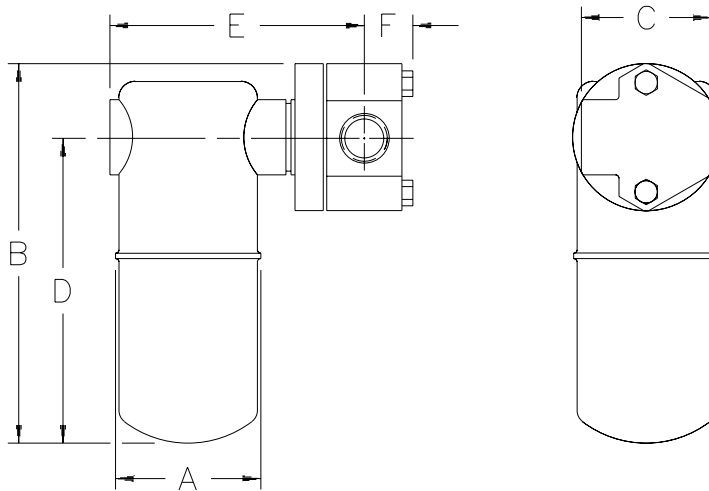
Order:

Project:

Requirements:

By:

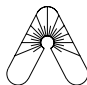
Date:



NAME OF PART	MATERIAL
CAP & BODY	304-L STN. STL.
CONNECTIONS	304 STN. STL.
VALVE SEAT	HARDENED STAINLESS STEEL
VALVE	HARDENED STAINLESS STEEL
VALVE RETAINER	STAINLESS STEEL
LEVER	STAINLESS STEEL
GUIDE PIN ASS'Y	STAINLESS STEEL
BUCKET	STAINLESS STEEL
CONNECTOR BLOCK	304 STN. STL.
CONNECTOR GASKET	304 S.S. NON-ASBESTOS
RETAINING RING	CARBON STEEL
FLANGE	FORGED CARBON STEEL
FLANGE RETAINER	304 STN. STL.
BOLT	ASTM A193 GR. B7

MODEL NO.	2010	2011
PIPE CONNECTIONS	1/2, 3/4	1/2, 3/4
"A" (DIAMETER)	2-11/16	2-11/16
"B" (HEIGHT)	6	6-15/16
"C" (FACE-TO-FACE)	2-3/8	2-3/8
"D" (BOTTOM TO \varnothing)	4-19/32	5-9/16
"E" (\varnothing TO OUTSIDE)	4-9/16	4-9/16
"F" (\varnothing TO BOLT)	1	1
WEIGHT (LBS.)	4-1/4	4-1/2
MAXIMUM ALLOWABLE PRESSURE (VESSEL DESIGN)	400 psig AT 800°F	400 psig AT 800°F
MAX. OPERATING PRESSURE (psi)	200	400

NOTE: DIMENSIONS ARE IN INCHES



Armstrong International, Inc.
 Three Rivers Division
 Three Rivers, MI 49093
Armstrong (616) 273-1415 Fax(616) 278-6555
 Posted on Armstrong's homepage www.armstrong-intl.com

Product	CD No.	Date
2010/2011 SERIES INVERTED BUCKET STEAM TRAPS	1003	10/04/94
		Rev. A