

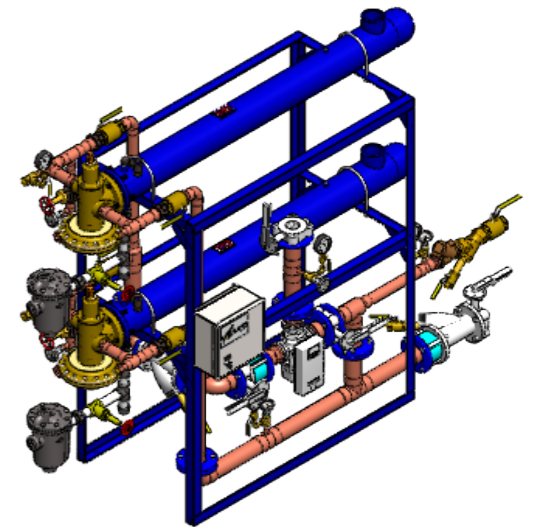
APPROVAL

BY: _____ DATE: _____

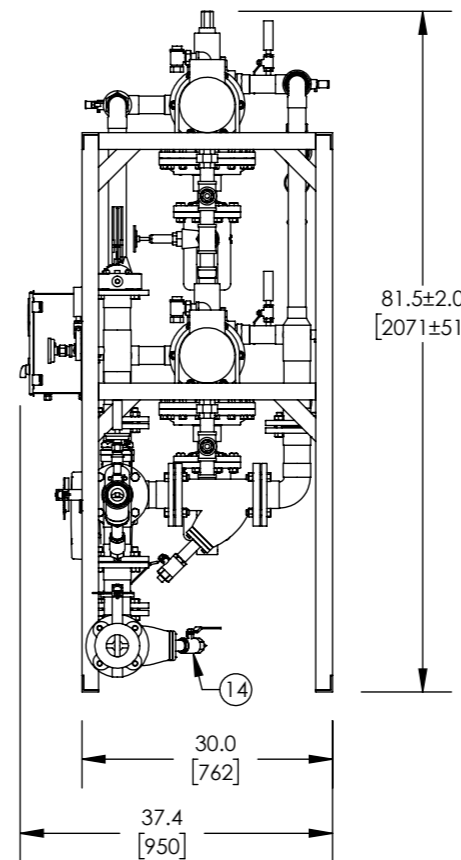
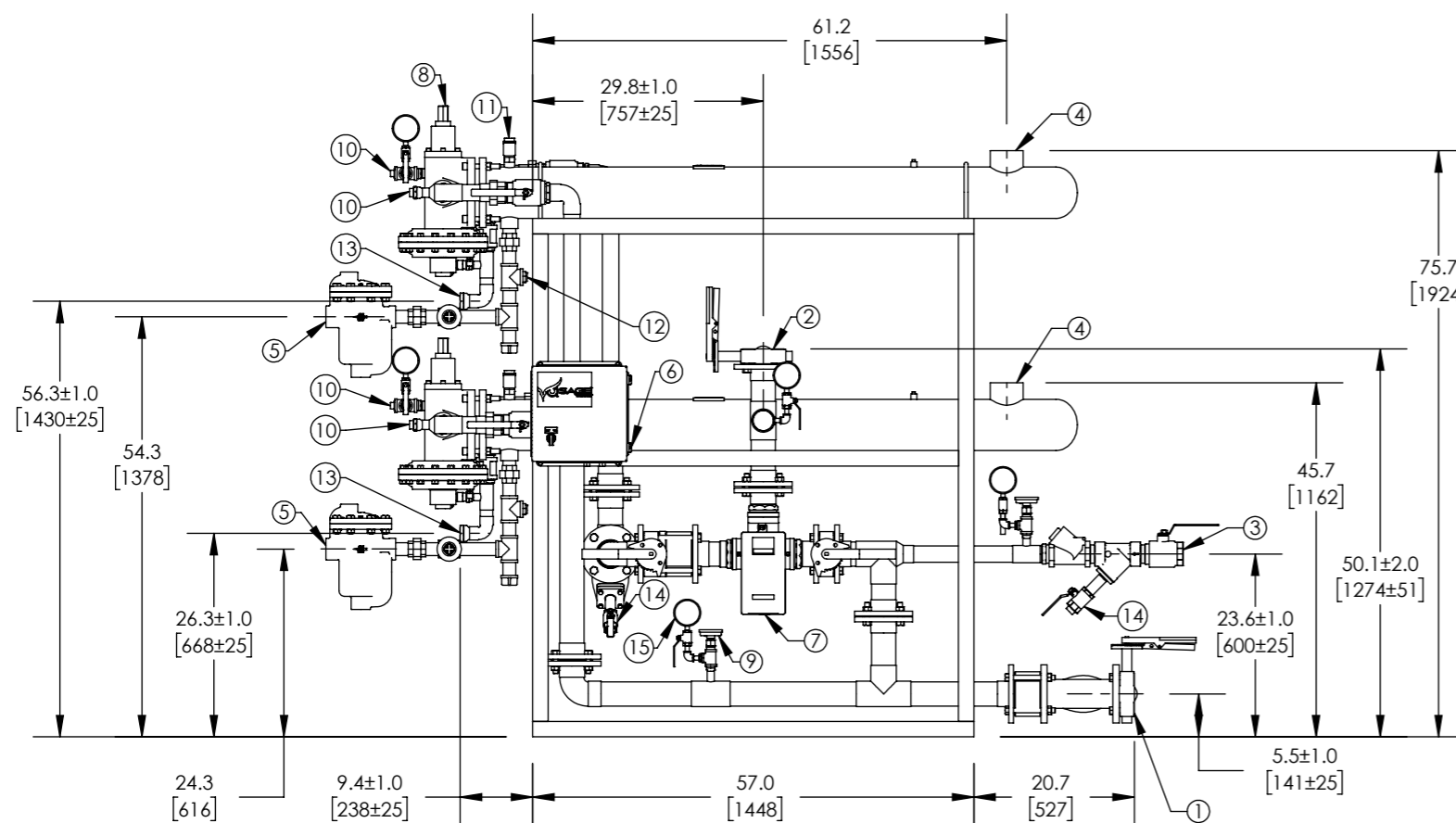
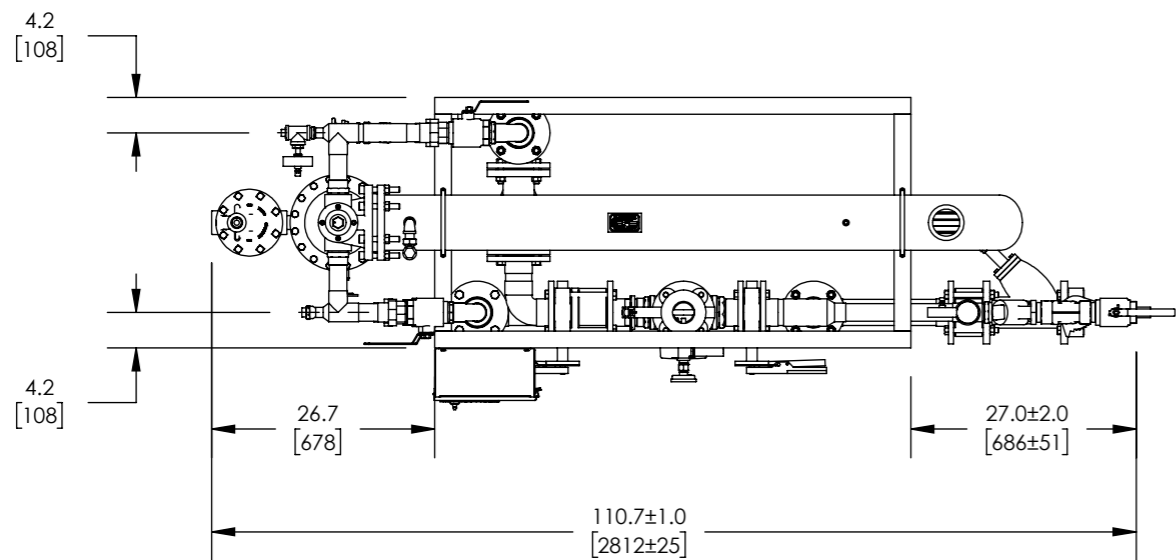
APPROVED, PROCEED WITH FABRICATION

APPROVED AS NOTED, PROCEED WITH FABRICATION IN ACCORDANCE WITH COMMENTS

DISAPPROVED, DO NOT FABRICATE



FLO-RITE-TEMP

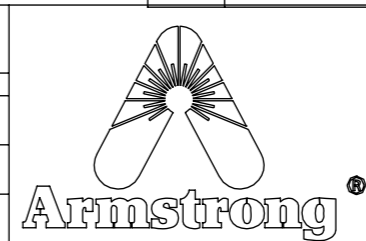


ITEM	DESCRIPTION	CONNECTION
1	COLD WATER INLET	3" FLG ANSI 150
2	MIXED WATER OUTLET	3" FLG ANSI 150
3	RECIRC WATER INLET	2" NPT
4	STEAM INLET (2)	3" NPT
5	CONDENSATE OUTLET (2)	1-1/4" NPT 814IB
6	ELECTRICAL PANEL	110 VAC @1.2A
7	DRV80	3" NPT
8	CONTROL VALVE (2)	2" NPT
9	THERMOMETER(5)	1/2" NPT
10	CIP CONNECTION(4)	1" NPT
11	AIR VENT (2)	3/4" NPT
12	VACUUM BREAKER (2)	1/2" NPT
13	BYPASS TO DRAIN (2)	1-1/2" NPT
14	BLOW DOWN(3)	1" NPT
15	PRESSURE GAUGE (5)	1/4" NPT

ITEM	MATERIAL
	PIPING
	EXCHANGER SHELL MATL.
	EXCHANGER TUBE MATL.

ARMSTRONG INTERNATIONAL
Copyright © 2010 ARMSTRONG INTERNATIONAL, INC.

FRT665P80BS



NAME	DATE
CFG	5/18/2015

MATERIAL	SHEET 1 OF 1
CWF55983	SALES

DO NOT SCALE DRAWING
TOLERANCES UNLESS OTHERWISE SPECIFIED

DIMENSIONING
ENGLISH [mm]

FRACTIONAL ± 1/64
ANGULAR: ± 2

DECIMAL	.XXXX ±	.0005	IN.	.010	MM
	.XXX ±	.005		.010	
	.XX ±	.015		.10	
	.X ±	.3			

NOTE(S):

1. ALL DIMENSIONS +/-0.5 [13] UNLESS OTHERWISE SHOWN.
2. COMPLETE ASSEMBLY LEAD FREE COMPLIANT - THE WETTED SURFACE OF THIS PRODUCT CONTACTED BY CONSUMABLE WATER CONTAINS LESS THAN ONE QUARTER OF ONE PERCENT (0.25%) OF LEAD BY WEIGHT.
3. PACKAGE INCLUDES ALL REQUIRED INLET CHECK VALVES, ISOLATION VALVES, AND STRAINERS ON DOMESTIC SIDE.
4. DRV AND ELECTRICAL PANEL ARE PREWIRED TO PROVIDE A SINGLE ELECTRICAL LANDING POINT AT THE PANEL.