



Hot Water Generation – Steam/Water Double Wall

Digital-Flo® Steam/Water Shell and Tube Heat Exchanger

Model DF665DWP80

DF665DWP80 is a complete pre-piped parallel (redundant) instantaneous steam/water shell and tube heater. The assembly includes a properly sized shell and tube heat exchanger with a Digital Recirculating Valve (DRV80).

Digital technology provides enhanced water temperature control accuracy and enhanced user safety in a single control component.

Operational Specifications

- +/-2°F water temperature control at points of use 25' downstream during demand
- +/-2°F water temperature control during zero system demand "idling" periods
- 2°F minimum valve inlet to outlet temperature requirement (system recirculation temperature loss)
- Automatic shutoff of hot water flow upon cold water inlet supply failure
- Automatic shutoff of hot water flow in the event of a power failure
- Programmable set point range of 81-158°F (27-70°C)
- Programmable 1st level hi/lo temp alarm display
- Programmable temperature error level for double safety shutdown.

Technical Specifications

- Maximum steam pressure: 15 PSIG
- Maximum domestic pressure: 150 PSI
- Minimum recirculation flow: 10 GPM
- Design conditions: Domestic-73 GPM (Redundant)/165 GPM (Parallel) at 100°F delta T using 15 PSIG steam
- Complete assembly Lead Free Compliant
- All domestic side valve fittings and isolation valves, strainers, inlet/return check valves, inlet system blend and return thermometers pre-piped.
- DRV – all wetted parts 316 stainless steel
- DRV to be UL Listed
- Heat Exchanger shall be double wall with 5/8" copper inner, 3/4" ID copper outer tube expanded into steel (steam side) and brass (water side) tube sheets.
- Water pipe of type L copper
- Fabricated carbon steel frame with machine grade enamel paint
- 120 volt power supply required
- Secondary (double) safety shut-off valve included

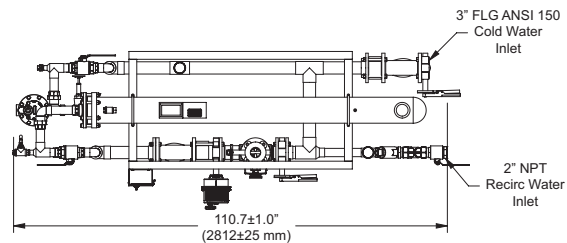
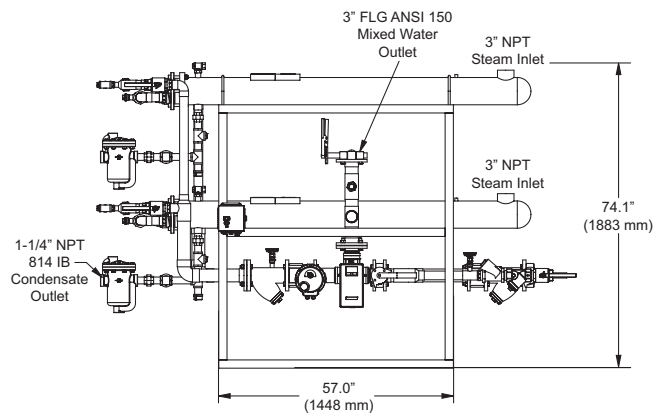
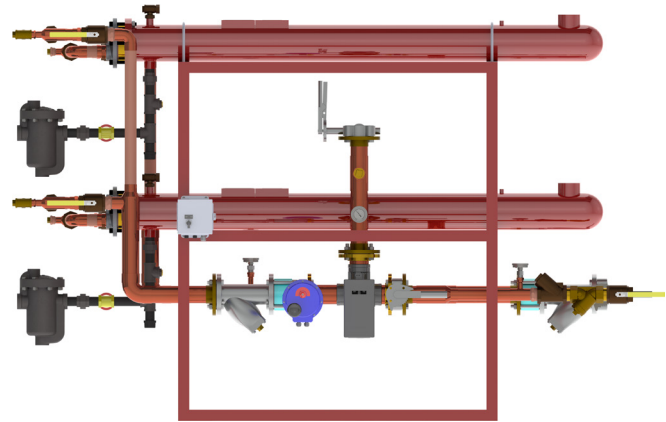
Connectivity

SPCO Relay Outputs – Relay which is energized during operation.

LCD Display – Provides information on set point, delivered temperature, error messages and alert conditions.

RS485 Serial Port – Connects the DRV to either Modbus RTU or BrainScan®. (See DF665DWP80BS for package with BrainScan®.)

Modbus RTU – DRV can be configured to communicate directly with Building Automation Systems (BAS) using Modbus RTU protocol.



For a submittal drawing, refer to D589770.