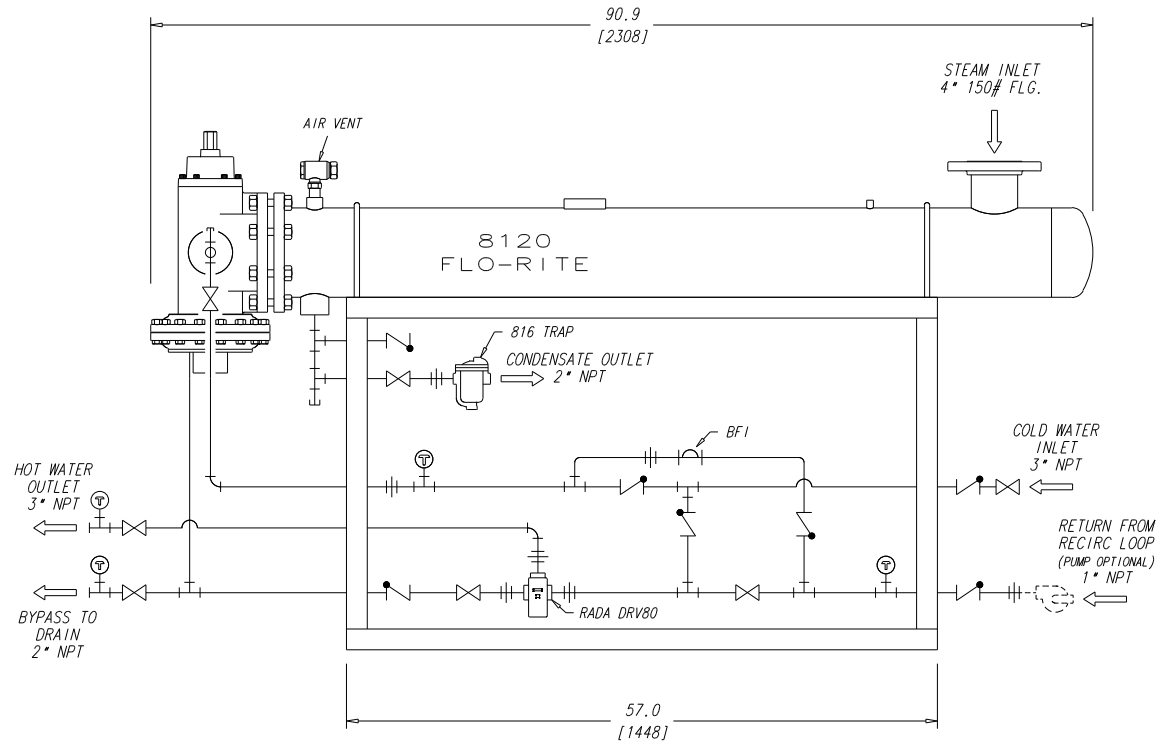
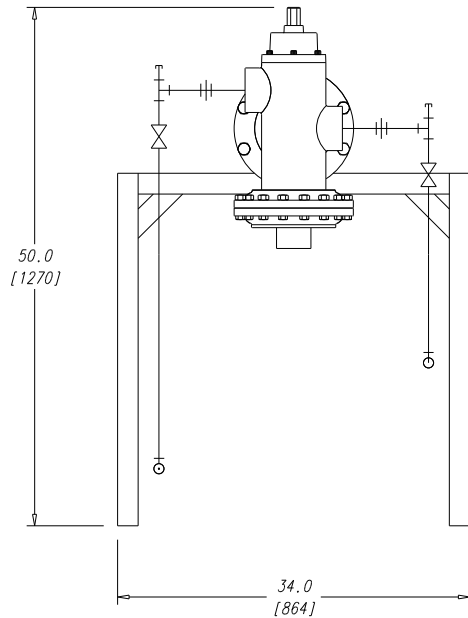


# APPROVAL

BY \_\_\_\_\_ DATE \_\_\_\_\_

- APPROVED, PROCEED WITH FABRICATION
- APPROVED AS NOTED, PROCEED WITH FABRICATION IN ACCORDANCE WITH COMMENTS
- DISAPPROVED, DO NOT FABRICATE

REVISIONS			
SYM	DESCRIPTION	C/N NO.	BY-DATE
A	RELEASED	CN20500	TH-1/8/08



THIS IS A CONCEPTUAL SCHEMATIC DRAWING. THE ACTUAL  
DETAIL OF IT'S CONTENTS MAY NOT BE AS APPEARS.

		GRAPHICS ARE USA BASED DRAWING HAS USA VIEW PROJECTION	
ENGLISH		ARMSTRONG INTERNATIONAL, INC.	
50 NOT SCALE DRAWING		FLO-RITE-TEMP WATER HEATER	
TOLERANCE UNLESS OTHERWISE SPECIFIED		8120 P-TWDMC1 SALES SCHEMATIC	
PASC. 4:1/4"		SHEET NO.	
IN. MM		SHEET 1	
DEC. 0000 1:0000 0000		SCALE	
00 00 00		DATE	
00 00 00		1/8/08	
00 00 00		55479	