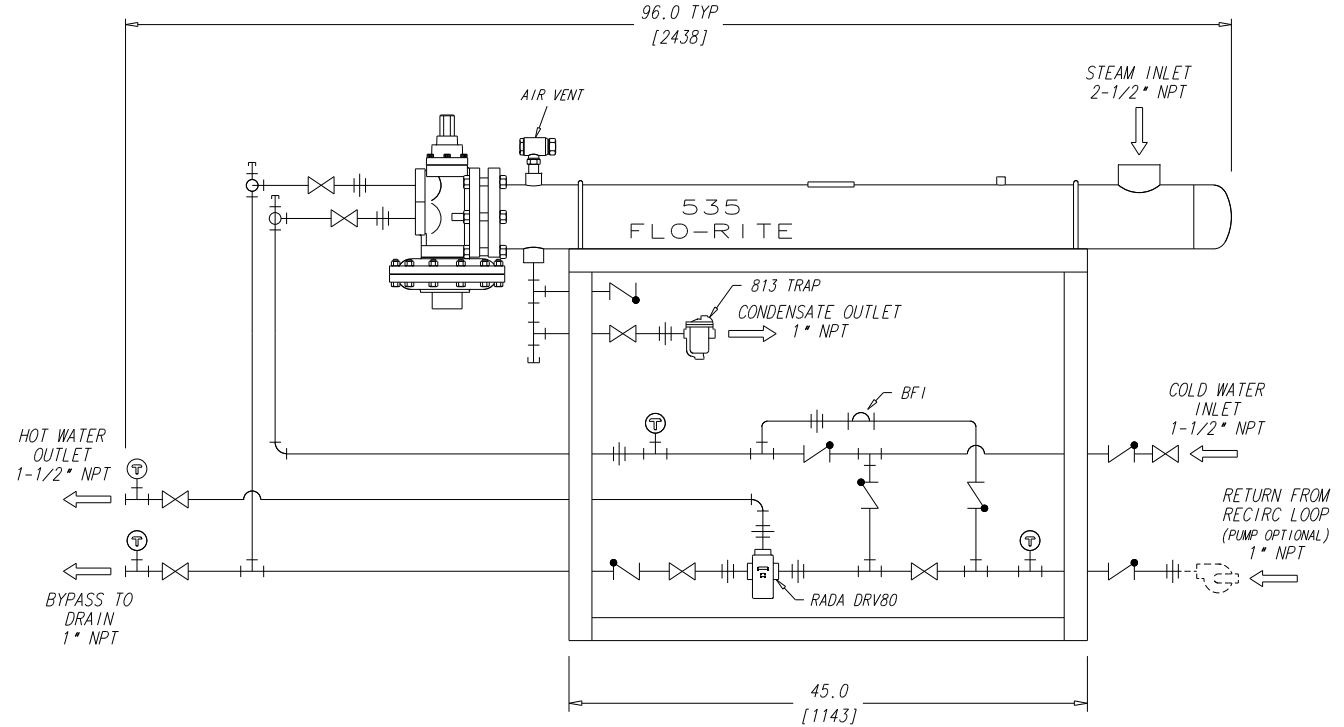
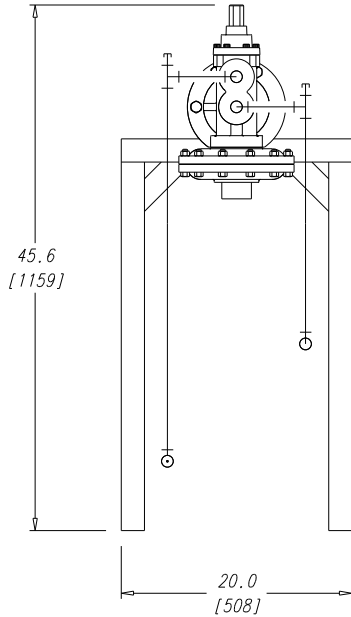


APPROVAL

BY _____ DATE _____

- APPROVED, PROCEED WITH FABRICATION
- APPROVED AS NOTED, PROCEED WITH FABRICATION IN ACCORDANCE WITH COMMENTS
- DISAPPROVED, DO NOT FABRICATE

REVISIONS			
SYM	DESCRIPTION	C/N NO.	BY-DATE
A	RELEASED	CN20500	TH-1/8/08



THIS IS A CONCEPTUAL SCHEMATIC DRAWING. THE ACTUAL DETAIL OF IT'S CONTENTS MAY NOT BE AS APPEARS.

		GRAPHICS ARE USA BASED DRAWING HAS USA VIEW PROJECTION	
ENGLISH DO NOT SCALE DRAWING TOLERANCE UNLESS OTHERWISE SPECIFIED FINISH: #1254		ARMSTRONG INTERNATIONAL, INC. FLO-RITE-TEMP WATER HEATER 535 P-PTWDMC1 SALES SCHEMATIC	
DEC: 0000 JAN: 0000 FEB: 0000 MAR: 0000 APR: 0000 MAY: 0000 JUN: 0000 JUL: 0000 AUG: 0000 SEP: 0000 OCT: 0000 NOV: 0000 DEC: 0000	IN: 1/8" MM: 3.175	SCALE: 1:1 DATE: 1/8/08	SHEET 1 S5477