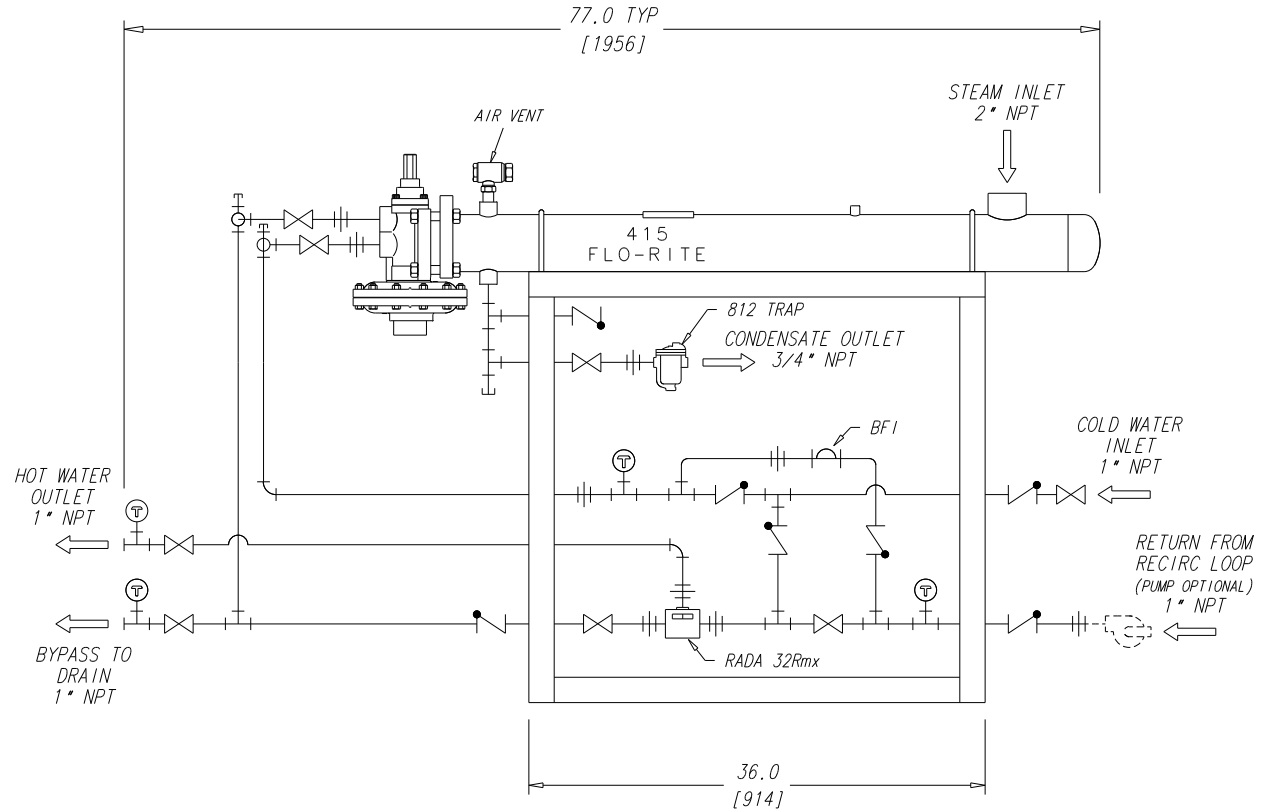
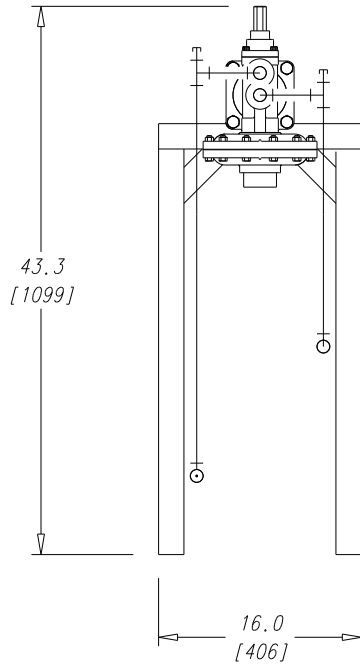


# APPROVAL

BY \_\_\_\_\_ DATE \_\_\_\_\_

- APPROVED, PROCEED WITH FABRICATION
- APPROVED AS NOTED, PROCEED WITH FABRICATION IN ACCORDANCE WITH COMMENTS
- DISAPPROVED, DO NOT FABRICATE

REVISIONS			
SYM	DESCRIPTION	C/N NO.	BY-DATE
A	RELEASED	CN20500	TH-1/8/08



THIS IS A CONCEPTUAL SCHEMATIC DRAWING. THE ACTUAL  
DETAIL OF IT'S CONTENTS MAY NOT BE AS APPEARS.

		GRAPHICS ARE USA BASED DRAWING HAS USA VIEW PROJECTION	
ENGLISH ARMSTRONG INTERNATIONAL, INC.		ARMSTRONG INTERNATIONAL, INC.	
DO NOT SCALE DRAWING TOLERANCE UNLESS OTHERWISE SPECIFIED		FLO-RITE-TEMP WATER HEATER 415 P-PWEMC1 SALES SCHEMATIC	
DEC. 11/08 11/08 11/08 11/08	IN. 1/8 MM 3.175 1/16 1/32 1/64	HONEYWELL ALISON	SHEET 1 S5476