

DIMENSIONS & DATA CERTIFIED FOR:

Representative:

Order:

Customer:

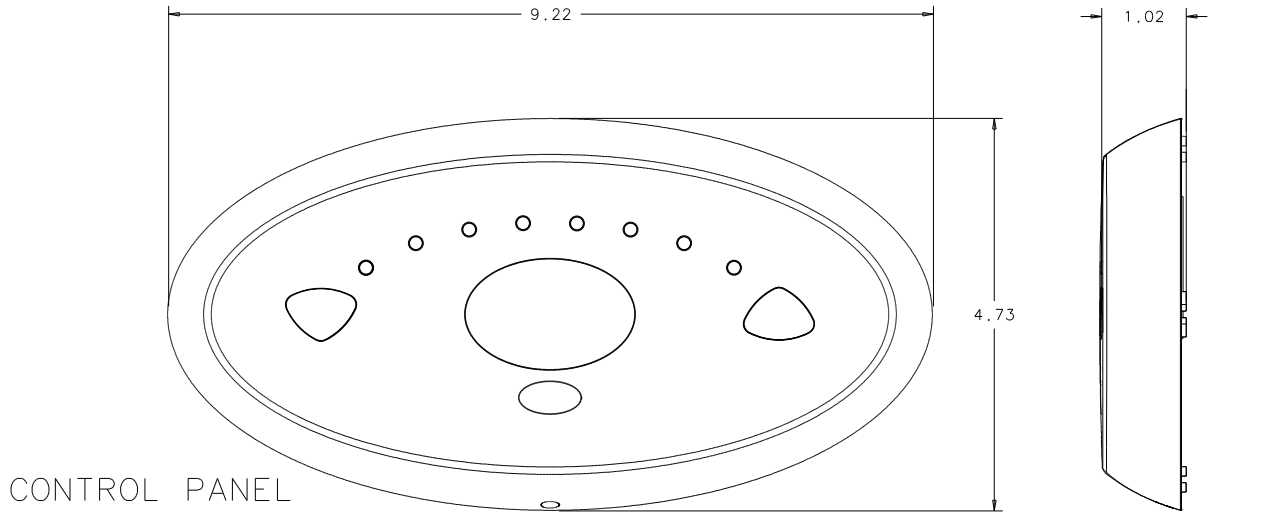
Order:

Project:

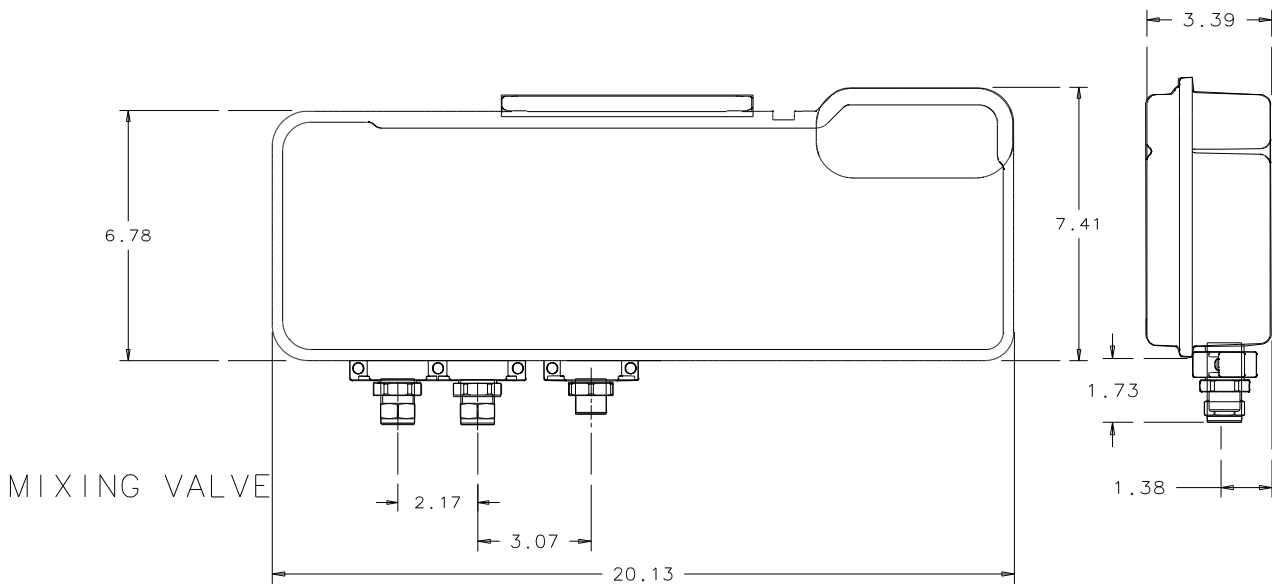
Requirements:

By:

Date:



CONTROL PANEL



MIXING VALVE

SPECIFICATIONS:

1. CONNECTIONS, 1/2" NPT
2. OPERATING PRESSURE-
150 psi (10 bar) MAX

LIST OF MATERIALS	
NAME OF PART	MATERIAL
CONTROL PANEL COVER	CHROME ABS
MIXING VALVE ENCLOSURE	PC/ABS
INTEGRAL COMPONENTS	DZR, BRASS, STAINLESS STEEL, AND ENGINEERING PLASTIC


ARMSTRONG HOT WATER GROUP
 221 Armstrong Boulevard
 Three Rivers, MI 49093
Armstrong 1-888-HOT HOSE (1-888-468-4673) Fax 1-269-279-3130
 Posted on Armstrong's homepage www.armstrong-intl.com

EMV - 1	Date	Rev.
	12/13/04	A
	Drawing No. CDLW 1147	