

DIMENSIONS & DATA CERTIFIED FOR:

Representative:

Order:

Customer:

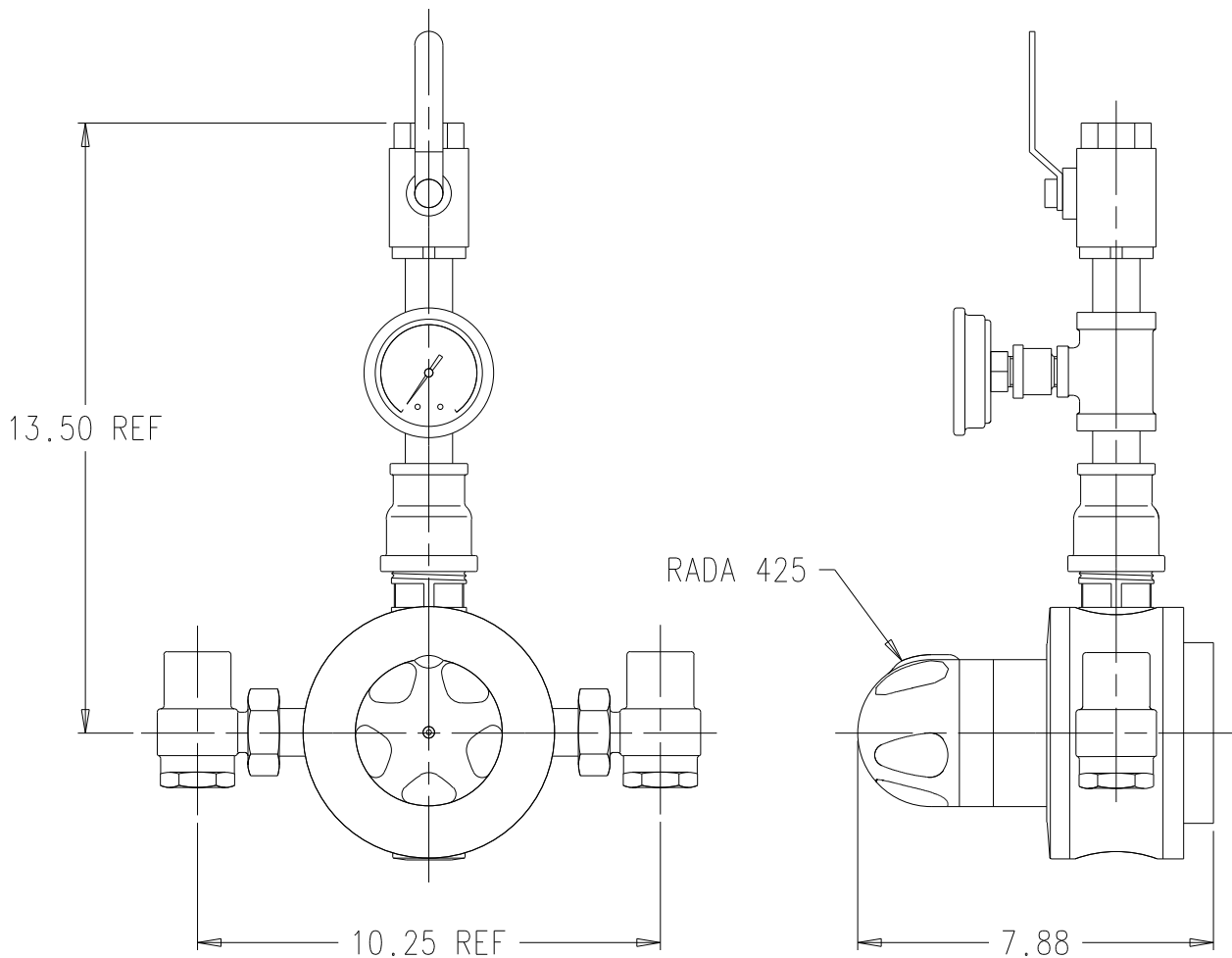
Order:


Project:

Requirements:

By:

Date:



 Armstrong	ARMSTRONG HOT WATER GROUP 221 Armstrong Boulevard Three Rivers, MI 49093 1-888-HOT HOSE(1-888-468-4673) Fax 1-269-279-3130 Posted on Armstrong's homepage www.armstrong-intl.com	
	RADA 425-D	Date 2/3/03
		Drawing No. CDLW 1103