

# DIMENSIONS & DATA CERTIFIED FOR:

Representative:

Order:

Customer:

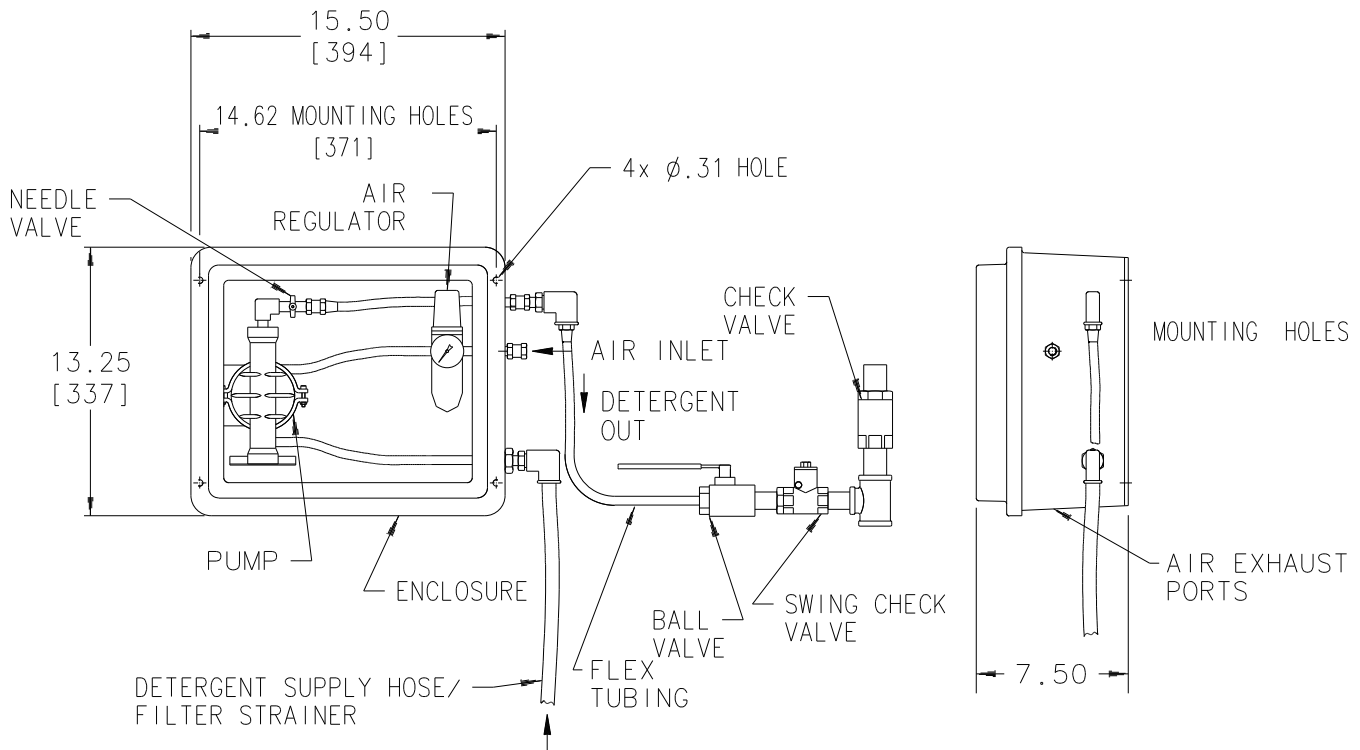
Order:

Project:

Requirements:

By:

Date:



Dimensions Are In Inches [mm]

### LIST OF MATERIALS

NAME OF PART	MATERIAL
ENCLOSURE	NEMA 4X RATED FIBERGLASS W/ PC WINDOW
PUMP, PNEUMATIC 1/4" CONN.	PVDF/TFE
REGULATOR, AIR 1/8" NPT CONN.	PA, GLASS REINFORCED W/ PC BOWL
TUBING, FLEX #6	18/8 SS
HOSE, DETERGENT SUPPLY W/ STRAINER/CHECK VALVE	PVC, PA REINFORCED 18/8 SS
VALVE, NEEDLE 1/4"	18/8 SS
VALVE, BALL 1/4"	ASTM B61 BRONZE
VALVE, CHECK 1/2"	
TEE 3/4" X 1/2"	ASTM B62 BRASS

### Specifications:

- #4000 Detergent System-
1. Capacities, Pump 4.9 gpm[19 l/m]
  2. Chemical Mix Ratios Up To 100:1
  3. Operating Pressure, 125 psi[9 bar] Max.
  4. Weight 25 lbs[11kgs]



*ARMSTRONG HOT WATER GROUP*

221 Armstrong Boulevard  
Three Rivers, MI 49093

**Armstrong** 1-888-HOT HOSE(1-888-468-4673) Fax 1-269-279-3130  
Posted on [www.armstronginternational.com](http://www.armstronginternational.com)

DETERGENT INJECTION  
SYSTEM SERIES 4000

Date

10/5/98

Rev.

C

Drawing No.

CDLW 1007