

DIMENSIONS & DATA CERTIFIED FOR:

Representative:

Order:

Customer:

Order:

Project:

Requirements:

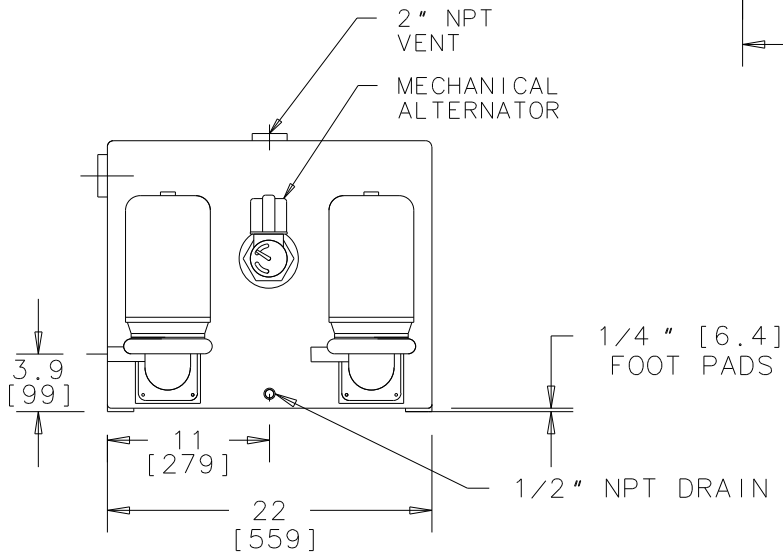
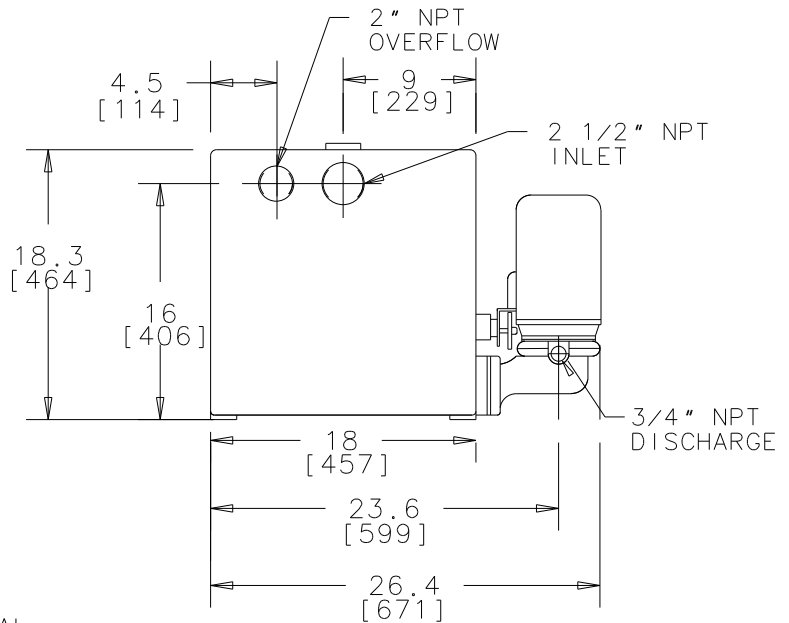
By:

Date:

DUPLEX
30 GAL. [114 L] STEEL RECEIVER
3500 RPM

FHS-222 HAS 1/2 HP [.37 KW] MOTORS
(22 GPM [1.4 L/S],
20 PSIG [1.4 BAR] DISCHARGE)

FHS-230 HAS 3/4 HP [.56 KW] MOTORS
(30 GPM [1.9 L/S],
20 PSIG [1.4 BAR] DISCHARGE)



Product	ENGLISH	CDF No.	Date
FHS-222	WEB	CDF 1091	3/30/09
FHS-230	YIN	Rev; B	By: E. Fritts
	X	CN21743	