

DIMENSIONS & DATA CERTIFIED FOR:

Representative:

Order:

Customer:

Order:

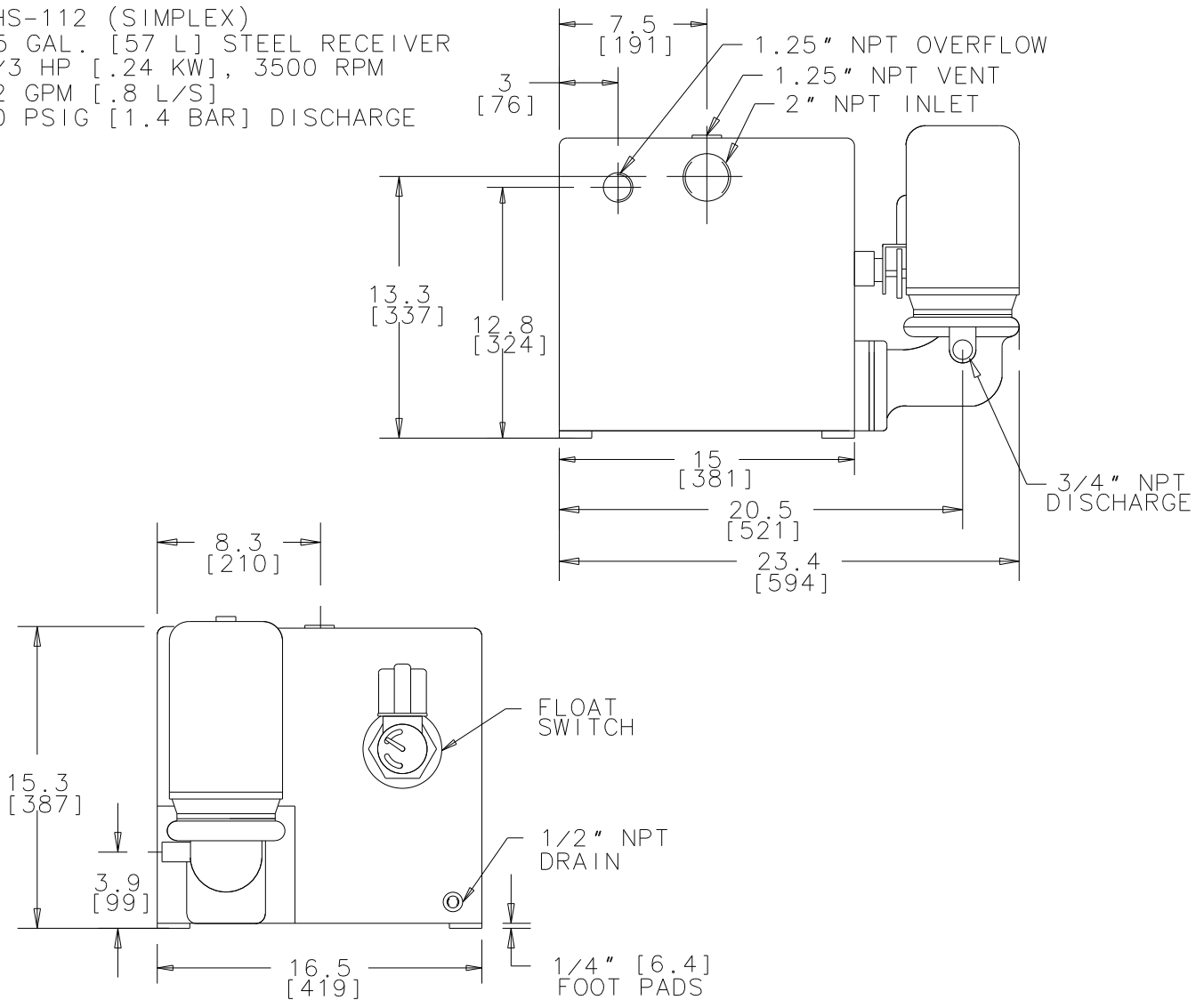
Project:

Requirements:

By:

Date:

FHS-112 (SIMPLEX)
 15 GAL. [57 L] STEEL RECEIVER
 1/3 HP [.24 KW], 3500 RPM
 12 GPM [.8 L/S]
 20 PSIG [1.4 BAR] DISCHARGE



Product	ENGLISH	CDF No.	Date
FHS-112	WEB	CDF 1089	3/30/09
	Y N		
	X	Rev: B	By: E. Fritts

cn21743