

# DIMENSIONS & DATA CERTIFIED FOR:

Representative:

Order:

Customer:

Order:

Project:

Requirements:

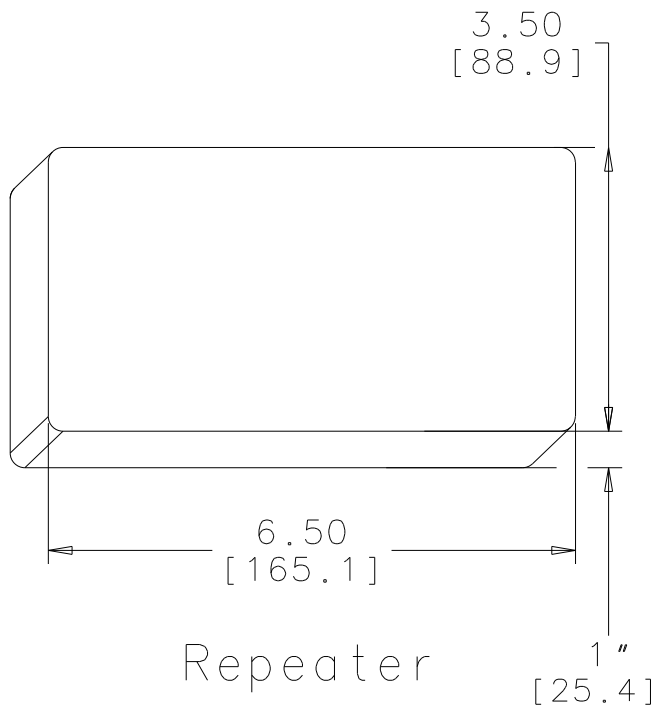
By:

Date:

## Technical Data

Power Requirement	12 VDC-20 VDC(120 VAC Adapter)100 mA
Power Consumption	70 mA
Receiver Type	Narrow-band Spread Spectrum
Frequency	902-928 MHz (North America)
Band Width	100KHz
Ambient Temp.	32°F To 125°F (Indoor/Outdoor) [0°C To 52°C]
Repeat Signals	Limit Of 10 Repeaters In Series

Repeater	Qty.
4000 Series	1



Product	ENGLISH	CD No.	Date
SteamEye Starter Kit W/ Repeater	WEB Y   N -   ✓	2098	12/17/07
		Rev; A    sht. 5	By; paulg