

DIMENSIONS & DATA CERTIFIED FOR:

Representative:

Order:

Customer:

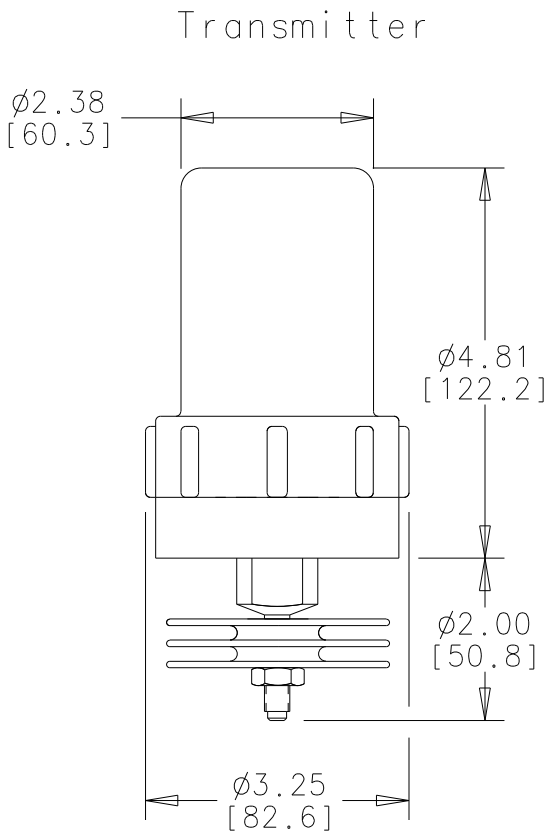
Order:

Project:

Requirements:

By:

Date:



| Name Of Part | Material |
|----------------|---|
| Body | Nylon/Glass Reinforced |
| Core, Probe | T304 S.S. |
| Cover, Inner | PE |
| Bushing, Probe | T304 S.S. |
| O-Ring | Nitrile |
| Battery | Duracell #D123A 3 VDC; 2/3 A Size LiMnO2 |
| Nut | 18-8 S.S. |
| Heat Sink | Aluminum |

Technical Information

| | |
|-------------------------|---|
| Operating Frequency | 902-928 MHz(North America) |
| Transmission Band Width | 200 KHz |
| Communications | Proprietary Spread Spectrum Format |
| Ambient Temp. | -50°F To 149°F at Or Above 15 psig [-46°C To 65°C at Or Above 2 bar] |
| Intrinsically Safe | Class 1, Groups C, D; Class II Groups F, G; Class III, Div. 1, 2 |
| Power Output | 60 mW (North America) |
| Model | Qty. |
| URFC4700 | 2 |



| Product | ENGLISH | CD No. | Date |
|---|-------------------|---------------|-----------|
| SteamEye Starter Kit W/ Transmitter (Set Temp.)90°F at 250 psig[[32.2°C at 17 bar]] | WEB Y N - ✓ | 2098 | 12/17/07 |
| | | Rev; A sht. 1 | By; paulg |