

DIMENSIONS & DATA CERTIFIED FOR:

Representative:

Order:

Customer:

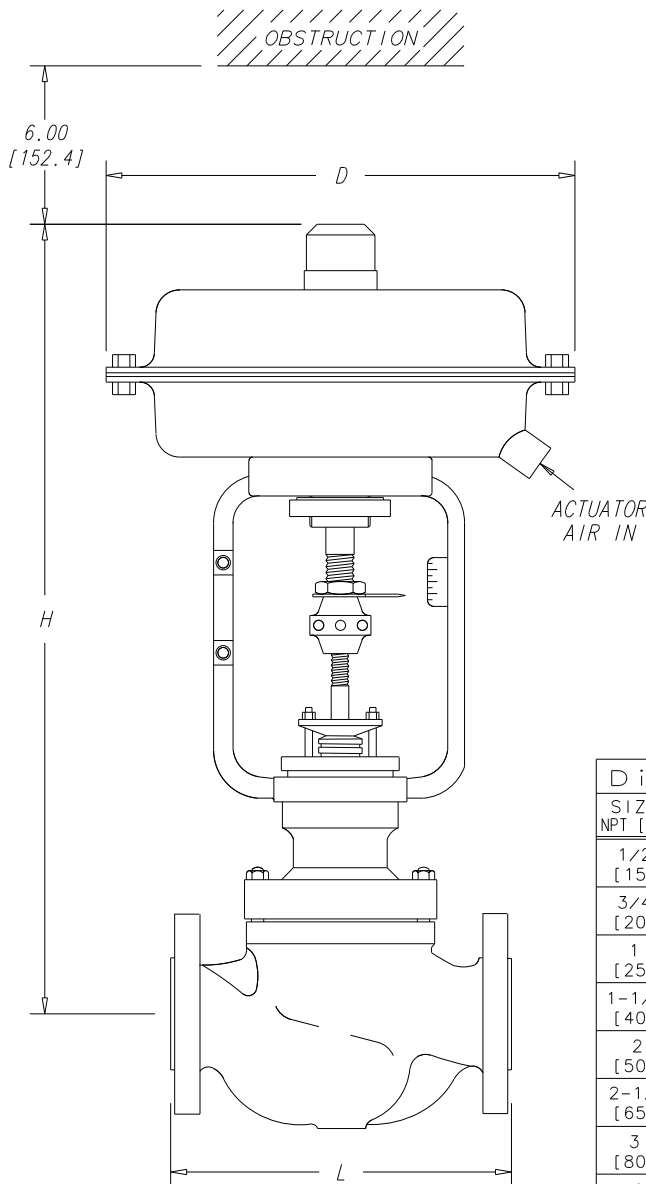
Order:

Project:

Requirements:

By:

Date:



LIST OF MATERIALS	
PART	MATERIAL
VALVE BODY	CARBON STEEL A216 GR. WCB
BONNET	CARBON STEEL A216 GR. WCB
VALVE / VALVE SEAT	STAINLESS STEEL AISI 431
VALVE STEM	STAINLESS STEEL 316
GLAND PACKING	V-TEFLON (OPTION 1) 366°F MAX. GRAFOIL (OPTION 2)
YOKE	S.G. IRON
ACTUATOR SPRING	CHROME VANADIUM SPRING STEEL
ACTUATOR DIAPHRAGM	NITRILE REINFORCED with NYLON FIBER

TECHNICAL DATA		
PLUG DESIGN	CONTOURED TOP (UNBALANCED)	
FLOW CHARACTERISTICS	EQUAL PERCENTAGE	
LEAKAGE	ANSI CLASS IV	
RANGEABILITY	50:1	
TRAVEL	2-1/2" [65] - 4" [100]	1.5 [38]
	6" [150]	2.3 [58]
MAXIMUM TEMPERATURE	450°F [232°C]	
MAXIMUM PRESSURE	300 PSIG [20 bar]	

Dimensions & Weights						
SIZE NPT [DN]	ANSI FLG. CLASS	L	D	H	C_v	WEIGHT lbs [kgs]
1/2 [15]	150#	7.00 [177.8]	11.42 [290.1]	18.50 [469.9]	5	34 [15.4]
3/4 [20]		7.12 [181.0]			9	
1 [25]		7.25 [184.2]			13	
1-1/2 [40]		8.75 [222.2]	20.28 [515.1]	25.20 [640.1]	30	55 [24.9]
2 [50]		10.00 [254.0]			50	65 [29.5]
2-1/2 [65]		10.88 [276.4]	14.96 [380.0]	25.20 [640.1]	80	120 [54.4]
3 [80]		11.75 [298.4]			110	135 [61.2]
4 [100]		13.88 [352.4]			200	176 [79.8]
6 [150]		17.75 [450.9]	17.64 [448.0]	33.47 [850.1]	320	322.0 [146.0]

NOTES:

1. REDUCED TRIM C_v AVAILABLE.

Dimensions are in inches [mm]



Armstrong

www.armstronginternational.com

Product

PYTHON 1100 SERIES CONTROL VALVE
FLANGED CONTOURED TOP GUIDED (UNBALANCED)

ENGLISH

WEB
Y/N

CD No.

CD2013

Rev; C

Date

4/30/07

By; Hooley

0400987