

DIMENSIONS & DATA CERTIFIED FOR:

Representative:

Order:

Customer:

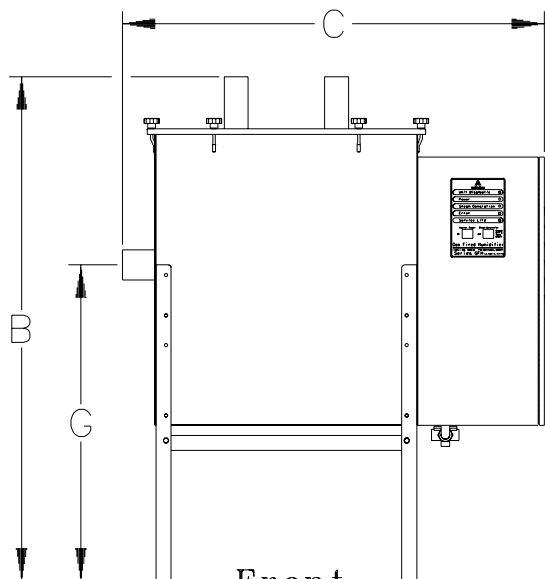
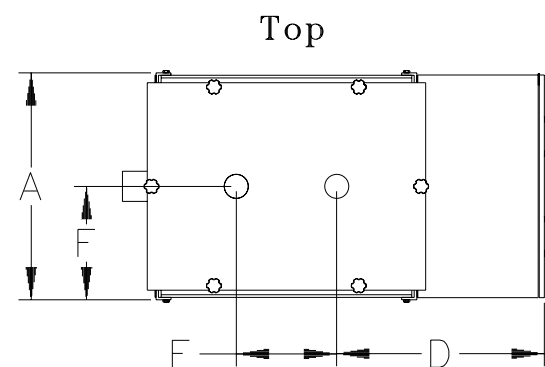
Order:

Project:

Requirements:

By:

Date:

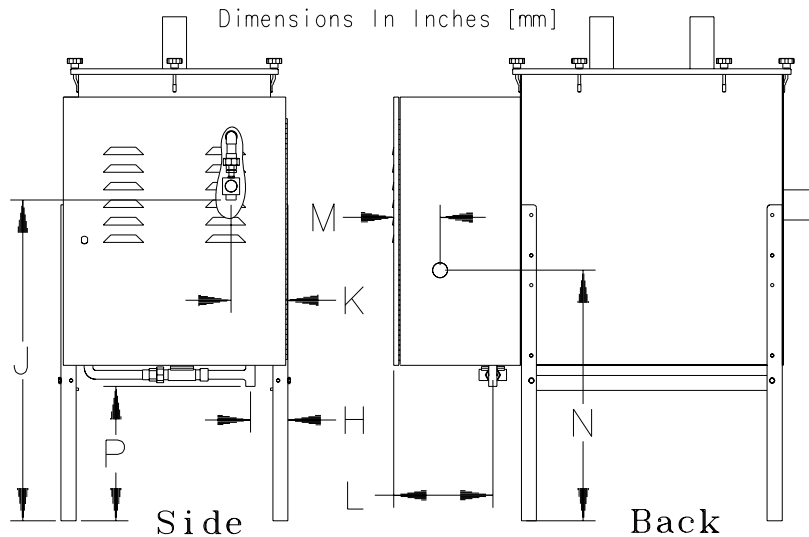


DESCRIPTION	CONN. SIZE	MODEL GFH-100/DI
"A" Width - Front To Back		22-5/8 [575]
"B" Height - Steam Outlet To Floor		50-1/4 [1276]
"C" Depth - Exhaust Vent To Side		42-1/16 [1068]
"D" Steam Outlet - C To Side		20-3/4 [527]
"E" Steam Outlet - C To C	2-3/8 ϕ	10 [254]
"F" Steam Outlet - C To Front		11-3/8 [289]
"G" Exhaust Vent - C To Floor	3 ϕ	31-1/2 [800]
"H" Drain - C To Leg	3/4 NPT	3-3/4 [95]
"J" Water Supply - Inlet To Floor	1/8 NPT	32 [813]
"K" Water Supply - C To Back		5-1/2 [140]
"L" Drain - C To Side	3/4 NPT	9-3/4 [248]
"M" Gas Supply - C To Side	1/2 NPT	4-5/8 [117]
"N" Gas Supply - C To Floor		25 [635]
"P" Drain - Outlet To Floor	3/4 NPT	11-3/4 [298]

Weight:


Approx. Shipping - 285 lbs [130 kgs]
 Max. Operating (Full) - 540 lbs [245 kgs]
 EHF III Fan Package - 33 lbs [15 kgs]

Dimensions In Inches [mm]



MATERIAL LIST	
Cabinet/ Finish	16 Ga. Stl./ Powder Coated Epoxy Enamel
Tank/Heat Exchanger	T304 Stainless Steel
* Ionic Bed Module	Inert Fiber
* Ionic Bed Frame	T304 Stainless Steel
Hose Cuffs	EPDM Rubber
Dispersion Tube	18-8 Stainless Steel
Tank Gasket	Closed Cell Silicone
Insulation	Foiled Fiberglass

* Not Used In DI/RO Applications
 Installation Clearance; 40[1016] Side,
 24[610] Front & Back



Armstrong International, Inc.
 Three Rivers Division
 Three Rivers, MI 49093

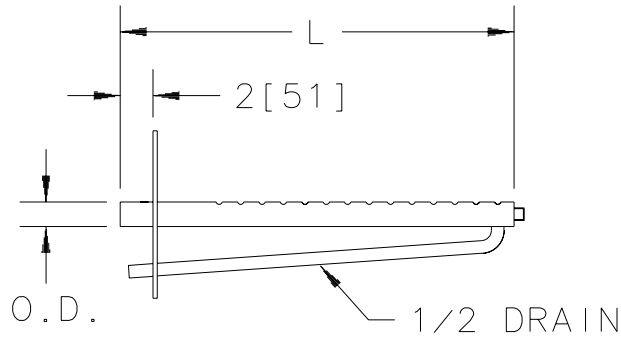
Armstrong (616) 273-1415 Fax(616) 273-9500
 Posted on Armstrong's homepage www.armstrong-intl.com

Product	CD No.	Date
GAS FIRED HUMIDICLEAN GFH-100/DI	1210	5/31/00
		Rev. A

SELECTING PROPER DISPERSION TUBE					
Model GFH-100	O.D.	Length (L)[cm]	Duct Width		Weight lb[kg]
			Min.	Max.	
DL-1	* 2-3/8 [60]	12[30]	11[28]	16[41]	3[1.4]
DL-1.5		18[46]	17[43]	22[56]	
DL-2		24[61]	23[58]	34[86]	4[2]
DL-3		36[91]	35[89]	46[117]	6[3]
DL-4		48[122]	47[119]	58[147]	8[3.6]
DL-5		60[152]	59[150]	70[178]	9[4]
DL-6		72[183]	71[180]	82[208]	10[4.5]
DL-7		84[213]	83[211]	94[239]	11[5]
DL-8		96[244]	95[241]	106[269]	12[5.5]
DL-9		108[274]	107[272]	118[300]	13[6]
DL-10	120[305]	119[302]	130[330]	14[6.4]	

Dimensions In Inches [mm] Unless Otherwise Shown.

* Minimum Of Two Tubes Required Installation
Control Panel Voltage Required - 120 Volt



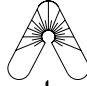
* DISPERSION TUBE

STANDARD PACKAGE INCLUDES:
Humidifier W/ Legs Hose Cuffs & Hose Clamps 0-10 Vdc Room Or Duct Humidistat

Steam Capacity Ratings			
Model Number	Output lbs[kg]/hr	Max Input btu/hr	Vent Size
GFH-100	100 [45]	133,000	3[76]
GFH-100 DI			

OPT IONS :

- Dwyer Duct Pressure Switch
- Humidistat, High Limit ON/OFF
- Humidistat, High Limit MODULATING
- Temp-r-Drain
- Fan Package, EHF III (2 Req'd)
- Tank Enclosure
- Insulation Package
- Natural Gas LP Gas

 Armstrong International, Inc. Three Rivers Division Three Rivers, MI 49093 Armstrong (616) 273-1415 Fax(616) 273-9500 Posted on Armstrong's homepage www.armstrong-intl.com		
Product	CD No.	Date
GAS FIRED MUMIDICLEAN GFH-100/DI	1210	5/31/00
Cont'd		Rev. A