

DIMENSIONS & DATA CERTIFIED FOR:

Representative:

Order:

Customer:

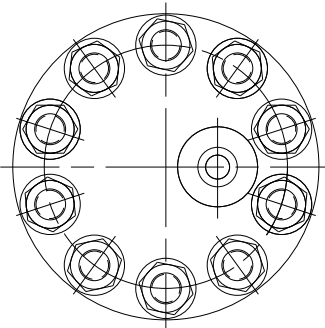
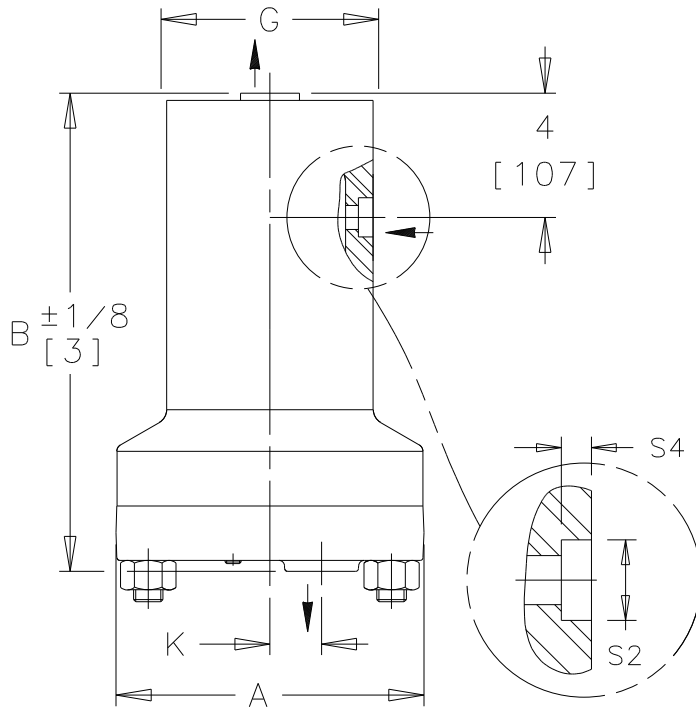
Order:

Project:

Requirements:

By:

Date:



Socket Weld Conn. ANSI B16.11

Dimensions Are In Inches[mm]

LIST OF MATERIALS:

NAME OF PART	MATERIAL
CAP & BODY FORGING	ASTM A182 F22 CLASS 3
FLOAT	T316/T304
GASKET, BODY	SPIRAL WOUND STN. STL. NON-ASBESTOS
STUDS (10)	ASTM A193 GR. B16
NUTS (10)	ASTM A194 GR. 2H
SEAT, VALVE	17-4 PH
RETAINER, SEAT	ASTM A351 GR. CF8M
GASKET, SEAT	MONEL
SCREWS, RETAINER	ASTM A193 GR. B7
VALVE	17-4 PH
LEVER, VALVE	ASTM A167 T304
RETAINER, VALVE	ASTM A240 T304
GUIDE PIN ASSEMBLY	ASTM A580 T316

TECHNICAL INFORMATION

MODEL NO.	251555G-HLS(NPT, BSPT & SW)		
CONNECTIONS	3/4[DN20]	1*[DN25]	1-1/4[DN32]
"A" (FLANGE, BODY ϕ)	10-3/8 [264]		
"B" (HEIGHT, SW)	16-7/32 [412]		
"G" (BODY ϕ)	7 [178]		
"K" (ϕ OUTLET TO ϕ INLET)	1-3/4 [44]		
WEIGHT	166 lb [75KG] \pm 4 lb [2KG]		
PIPE SIZE- SW	S2	S4 MIN.	
3/4 [DN20]	1.065 [27]	1/2 [13]	
1* [DN25]	1.330 [34]		
1-1/4 [DN32]	1.675 [43]		

OPTIONS:

CONNECTIONS	SOCKET WELD	<input type="checkbox"/>
	NPT	<input type="checkbox"/>
	BSPT	<input type="checkbox"/>
INTERNAL CHECK VALVE	<input type="checkbox"/>	<input type="checkbox"/>

DESIGN INFORMATION

MODEL NO.	MAX. OPER. PRESSURE PSIG [BAR] at 100°F [38°C]	MAX. ALLOWABLE PRESSURE (Vessel Design) PSIG [BAR] of Pressure-Containing Parts at Indicated Temp. °F [°C]				
		-20 [-29]	500 [260]	650 [343]	900 [482]	1000 [538]
251555G-HLS	2520 [174]	2500 [172]	2450 [169]	2350 [162]	1900 [131]	950 [66]



Product
DRAINER
251555G-HLS
SCREWED & SW

CD No.

1110

Rev; C sht. 1

Date

12/11/97

By; Paul G.

DIMENSIONS & DATA CERTIFIED FOR:

Representative:

Order:

Customer:

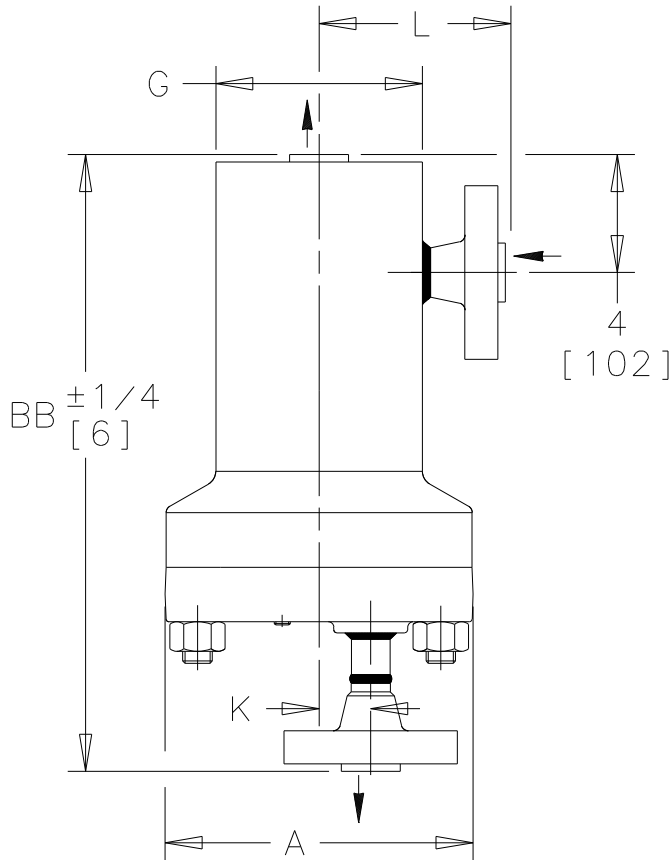
Order:

Project:

Requirements:

By:

Date:



Flange Conn. ANSI B16.5
Ass'y Shown Above 1" Conn.

Dimensions Are In Inches[mm]

LIST OF MATERIALS:

NAME OF PART	MATERIAL
CAP & BODY FORGING	ASTM A182 F22 CLASS 3
FLANGES	ASTM A183 F22 CLASS 22
NIPPLE	ASTM A335 F22 GR. P22 SCH 160
FLOAT	T316/T304
GASKET, BODY	SPIRAL WOUND STN. STL. NON-ASBESTOS
STUDS (10)	ASTM A193 GR. B16
NUTS (10)	ASTM A194 GR. 2H
SEAT, VALVE	17-4 PH
RETAINER, SEAT	ASTM A351 GR. CF8M
GASKET, SEAT	MONEL
SCREWS, RETAINER	ASTM A193 GR. B7
VALVE	17-4 PH
LEVER, VALVE	ASTM A167 T304
RETAINER, VALVE	ASTM A240 T304
GUIDE PIN ASSEMBLY	ASTM A580 T316

TECHNICAL INFORMATION

MODEL NO.	25155G-HLS FW		
CONNECTIONS	3/4[DN20]	1"[DN25]	1-1/4[DN32]
"A" (FLANGE, BODY ϕ)	10-3/8 [264]		
"BB" (HEIGHT, CL. 1500 FLG.)	3/4	20-13/16 [529]	
	1-1/4	20-15/16 [532]	
"L" (FLG. TO CL. OF BODY)	3/4	6-1/16 [154]	
	1-1/4	6-3/16 [157]	
"G" (BODY ϕ)	7 [178]		
"K" (ϕ OUTLET TO ϕ INLET)	1-3/4 [44]		
WEIGHT	FLANGE 3/4	182 lb[83kg]	
	SIZE 1"	188 lb[85kg] ± 4 lb[2KG]	
	1-1/4	191 lb[87kg]	

OPTIONS:

CONNECTIONS	FLANGE	RAISE FACE	<input type="checkbox"/>
		RING JOINT	<input type="checkbox"/>

DESIGN INFORMATION

MODEL NO.	MAX. OPER. PRESSURE PSIG [BAR] at 100°F [38°C]	MAX. ALLOWABLE PRESSURE (Vessel Design) PSIG [BAR] of Pressure-Containing Parts at Indicated Temp. °F [°C]				
		-20 [-29]	500 [260]	650 [343]	900 [482]	1000 [538]
25155G-HLS FW	2520 [174]	2500 [172]	2450 [169]	2350 [162]	1900 [131]	950 [66]



Product
DRAINER
25155G-HLS FW
FLANGE

CD No.

Date

1110

12/11/97

Rev; C Sht. 2

By; Paul G.