

# DIMENSIONS & DATA CERTIFIED FOR:

Representative:

Order:

Customer:

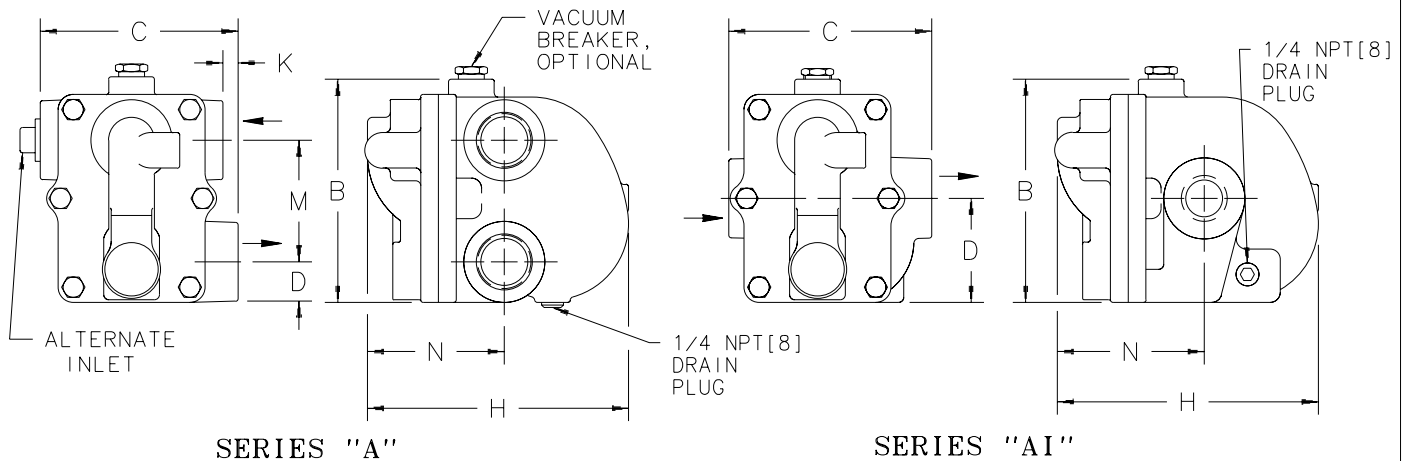
Order:

Project:

Requirements:

By:

Date:




TRAP SERIES	A SERIES					AI SERIES
Pipe Connections	3/4[DN20]	1*[DN25]	1-1/4[DN32]	1-1/2[DN40]	2[DN50]	1/2[DN15], 3/4[DN20], 1*[DN25]
"B" (Height)	5-1/8[130]	5-13/16[148]	7-7/16[189]	9-3/4[248]	5-1/2[140]	5-1/2[140]
"C" (Face to Face)	4-7/8[124]	4-5/8[117]	5-3/4[146]	7-5/8[194]	5[127]	5[127]
"D" (Bottom to $\varnothing$ )	1*[25.4]	1-7/32[31]	1-13/32[36]	1-11/16[43]	2-9/16[65]	2-9/16[65]
"H" (Width)	6-7/16[164]	8-1/8[206]	8-7/16[214]	11-5/8[295]	6-1/2[165]	6-1/2[165]
"K" (Connection Offset)	3/8[10]	—	—	—	—	—
"M" ( $\varnothing$ to $\varnothing$ )	3[76]		4-3/16[106]	6[152]	—	—
"N" (Top to $\varnothing$ )	3-3/8[86]		3-3/4[95]	3-3/4[95]	5[127]	3-11/16[93]
Weight: lbs[kgs]	9-1/2 [4]	8-1/4 [3.8]	11 [5]	18-3/4 [9]	40 [18]	9-3/4 [4.4]
Maximum Allowable Pressure (Vessel Design)	175 psig [12 bar] at 450°F [232°C]					
Maximum Operating Pressure (psig)	175 psig [12 bar], Saturated Steam					

NOTE:  
Dimensions Are In Inches [mm]

Name Of Part	Material
Cap and Body	ASTM A48 Class 30
Bolting	SAE Grade 2
Gasket	Graphite with Surlyn
Valve	T440 Stainless Steel
Valve Seat	T303 Stainless Steel* ASTM A582
Float	T304 Stainless Steel
Mechanism	Stainless Steel
Air Vent, Balanced Pressure Thermostatic	Stainless Steel And Bronze W/ Phosphor Bronze Bellows.

\*440F Stainless Steel In 1-1/2\*[DN40] Size And Larger

OPTIONS:	
CONNECTION	<input type="checkbox"/> NPT <input type="checkbox"/> BSPT
INTEGRAL VACUUM BREAKER	<input type="checkbox"/>



Armstrong International, Inc.  
Three Rivers Division  
Three Rivers, MI 49093  
Armstrong (616) 273-1415 Fax(616) 278-6555  
Posted on Armstrong's homepage [www.armstrong-intl.com](http://www.armstrong-intl.com)

Product	CD No.	Date
A & AI SERIES FLOAT/THERMOSTATIC STEAM TRAP	1009	7/2/02
		Rev. D