



Armstrong® SJDT Steam Jacketed Dispersion Tube

The Armstrong SJDT (Steam Jacketed Dispersion Tube) is an all stainless steel dispersion tube with the unique ability to accept jacketing steam from atmospheric steam generating humidifiers. The SJDT utilizes a portion of the steam to “jacket” the entire length of the tube, keeping the dispersion tube hot, even during periods of low demand. This “jacketing” effect improves the quality of steam discharge and reduces the chance for spitting or dripping in your air handling system. In addition, the SJDT offers the following benefits:

- Only steam jacketed dispersion tube currently available to accept steam from atmospheric steam generating humidifiers.
- Designed for use on Armstrong electronic self-contained EHU's, Electric and Gas Fired HumidiClean and Steam-to-Steam humidifiers.
- Internal drain port allows any condensate formed to be drained from the dispersion tube as well as the jacketed passageway.
- Steam jacket eliminates the need to use nozzles that extend inside the pipe.
- No air binding.
- Accepts and disperses steam up to 120 pph.
- All stainless steel construction.
- Simple installation.
- Sizes available are 1 foot up to 10 feet in length.
- Patent 5,942,163.

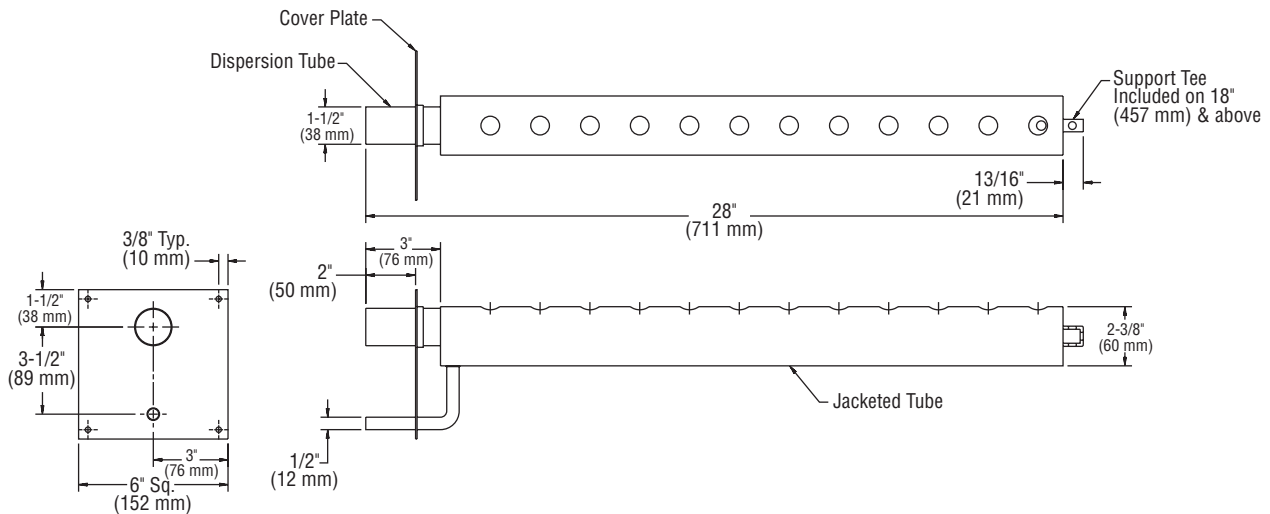
Table 154-1. SJDT List of Materials

Dispersion Tube	T304 Stainless Steel
Drain Tube	
Cover Plate	
Jacket Tube 2" Pipe	T304 Stainless Steel Sch. 5

Table 154-2. SJDT Physical Data

SJDT Model Number	"L" Length		Duct Width			
			Min.		Max.	
	in	mm	in	mm	in	mm
SJDT-1	12	305	11	279	16	406
SJDT-1.5	18	457	17	432	22	559
SJDT-2	24	609	23	584	34	864
SJDT-3	36	914	35	889	46	1168
SJDT-4	48	1219	47	1194	58	1473
SJDT-5	60	1524	59	1499	70	1778
SJDT-6	72	1829	71	1803	82	2083
SJDT-7	84	2134	83	2108	94	2388
SJDT-8	96	2438	95	2413	106	2692
SJDT-9	108	2743	107	2718	118	2997
SJDT-10	120	3048	119	3023	130	3302

Figure 154-1. Steam Jacketed Dispersion Tube



All dimensions and weights are approximate. Use certified print for exact dimensions. Design and materials are subject to change without notice.

Suggested Specification for SJDT

Steam injection into air handling system for humidification purposes shall be by means of an all stainless steel steam jacketed dispersion tube suitable for accepting steam from an atmospheric (<1 psi) source such as electronic or steam-to-steam, humidifiers without dripping or spitting. Substitution of nozzles alone in place of steam jacketing shall not be acceptable.

A portion of the steam supply shall be diverted from the dispersion tube to jacket the entire length of the tube through a two pass (supply and return) jacketing passageway.

Dispersion tube shall incorporate an internal drain port to drain any condensate present in the jacket. Return jacketed passageway shall include a 1/2" drain connection for field piping to a "P" trap of not less than 6". Field piping connections shall be limited to the humidifying steam supply and single condensate gasses shall be evacuated from the jacket through escape passages near the dispersion tube steam discharge holes. Dispersion tube shall be Armstrong SJDT.