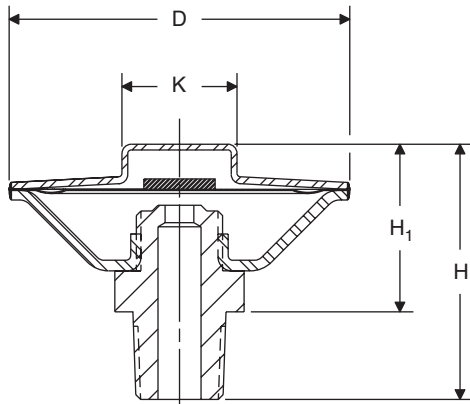


T-Wafer Radiator Trap Replacement Capsule

For Steam Service

The T-Wafer capsule is a compact, easy to install, welded wafer element. The capsule is designed so that it can be easily adapted to almost any of the popular radiator traps currently in use.

For a fully detailed certified drawing, refer to CDY #1077.



T-Wafer Capsule



Specifications and Materials					
Application	Max. Oper. psig (bar)	Max. Oper. Temp. °F (°C)	Materials		
			Body	Seat	Wafer
Steam	65 (4)	312 (156)	T-304 SS	T-316 SS	T-316 SS

Physical Data							
L		*H		H ₁		K	
in	mm	in	mm	in	mm	in	mm
1-1/2	38	1-3/16	30	3/4	20	1/2 Hex	15

*When using adapter extension or using extra tall adapter, add 1/2" (15 mm).

For a complete listing of popular models adaptable to the T-Wafer, contact your Armstrong Representative.

Specify the following when ordering T-Wafers
 Trap Manufacturer — Trap Model Number — Trap Connection Size — Trap Pattern (on some models)



T-Wafer Radiator Trap Replacement Capsule

Popular Models Adaptable to the T-Wafer					
Trap Manufacturer	Trap Model	Trap Connection	Armstrong Part No.	Notes	
Barnes & Jones	122	1/2"	B-2511-5	Integral Seat	
	3045				
	6	3/4"	B-2511-10		
	134				
Dunham Bush	TH2A	1/2"	B-2511-4	Removable Seat	
	1E		B-2511-22		
	1E		B-2511-7		
	2E	3/4"	B-2511-6	Integral Seat	
	V1B	1/2"	B-2511-7		
Hoffman	17C	1/2"	B-2511-8	Removable Seat	
	8		B-2511-24		
	8C	3/4"	B-2511-8		
	9		B-2511-24		
Illinois	1G	1/2"	B-2511-1		
	3G	3/4"	B-2511-23		
Marsh	2-7		1/2"		B-2511-3
	1	B-2511-1			
	2	B-2511-19			
	1N				
Monash-Younger	30	1/2"	B-2511-1		
	34		B-2511-9		
Sarco	E	1/2" & 3/4"	B-2511-1	Trap Rated @ 65 psi Removable Seat/Non-vertical Integral Seat/Vertical Config.	
	H				
	H	1"	B-2511-20		
	S65	1/2" & 3/4"	B-2511-1		
Trane	B1	1/2"	B-2511-16	Removable Seat/Vertical Config. Integral Seat/Non-vertical Integral Seat Removable Seat Integral Seat	
	B1		B-2511-15		
	B1		B-2511-18		
	B2		B-2511-7		
	B3	3/4"	B-2511-4		
	B3		B-2511-28		
	Warren Webster	02H & 02V	1/2"		B-2511-3
12H5		B-2511-11			
22H5					
502		B-2511-3			
502V-1					
503		3/4"	B-2511-11		
512, 512H & 512G		1/2"			
513		3/4"			
522H		1/2"			
522HB					
524HB		3/4"	B-2511-11		
533					
5993					
702		1/2"	B-2511-3		
702V-1					
703		3/4"	B-2511-11		
712		1/2"			
712HB					
713		3/4"			
713HB					
722HB		1/2"	B-2511-11		
724AH & 724HB		1"			
734		3/8"	B-2511-3	High Press. Heavy Load Trap	
780					
781		1/2"	B-2511-20	Removable Seat	
782					
783		3/4"			
784	1"				
902	1/2"	B-2511-17			
902V		B-2511-3			
733H	3/4"	B-2511-11	Heavy Load Trap		

NOTE: This is not a complete listing of adaptable traps—For a complete listing, contact your Armstrong Representative. When ordering, please specify: 1. Trap Manufacturer 2. Trap Model Number 3. Trap Connection Size 4. Trap Pattern (on some models)

Radiator Products

