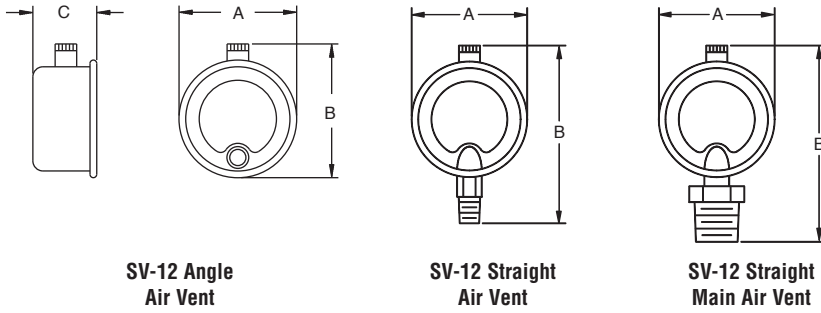




# Armstrong® SV-12 Steam Radiator Air Vent



## For Steam Service

A vent port size for every room location with the largest size for the coldest rooms and the smallest size for the "too hot" rooms. SV-12 air vents are easy to install on any steam radiator.

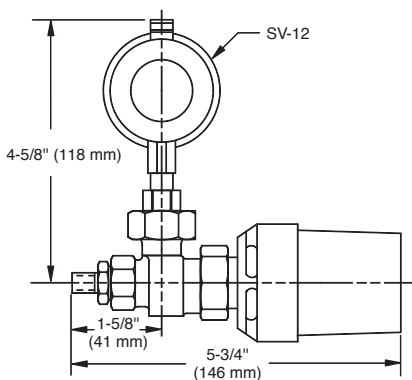
For a fully detailed certified drawing, refer to CDY #1042.



Materials	
Name of Part	Material
Body	Nickel plated brass
Float	Polypropylene
Valve Seat	Brass
Bimetal Thermostatic Element	Stainless steel

Physical Data						
Pattern	Angle Connection		Straight Connection		Straight Main Connection	
	in	mm	in	mm	in	mm
Pipe Connection Size	1/8	3	1/8, 1/4	3, 6	1/2, 3/4	15, 20
"A"	2-3/16	56	2-3/16	56	2-3/16	56
"B"	2-5/16	59	3-1/4	83	3-1/2	89
"C"	1-3/16	30	1-3/16	30	1-3/16	30
Max. Operating Pressure, psi (bar)	15 (1)					
Vent Port Designation and Port Size	4 = .040"    6 = .0935" 5 = .070"    C = .1285" D = .1850"				1 = .1850" Only one vent port will be provided	
Each air vent is provided with all five of the above vent ports						

## RV-4 One Pipe Steam Radiator Valve



RV-4 One Pipe Steam Radiator Valve

Specifications	
Name of Part	Material
Valve Body	Brass (nickel plated)
Main Valve	"A" insert - Brass    "S" insert
Main Valve Seat	"A" insert - EPDM    chrome nickel plated
Operator Body	Luron
O-rings	EPDM

Pressure/Temperatures		
Model	"A" Insert (Standard On All Valves)	"S" Insert (Provides Longer Life on Steam Service)
Maximum Steam, psi (bar)	15 (1)	
Maximum Temp. °F (°C)	250 (121)	
Max. Diff.—Water, psi (bar)	15 (1)	
Max. Static Pressure, psi (bar)	150 (10)	

NOTE: Normally closed insert available.

## For Steam Service

The Armstrong RV-4 One Pipe Radiator Valve is a state-of-the-art thermostatic radiator valve for low pressure steam service. The valve provides accurate and automatic control of space temperature in individual rooms through automatic air venting.

For a fully detailed certified drawing, refer to CDY

All dimensions and weights are approximate. Use certified print for exact dimensions. Design and materials are subject to change without notice.