

AFH 4400 Series Stainless Steel Condensate Return Units



High Quality Stainless Steel Exceptional Value, Extraordinary Quality

Armstrong Stainless Steel Condensate Return Units offer the best materials available for long life. Tanks have a 20-year warranty against failure due to corrosion and are made from 304 SS with internal ribbing where needed for excellent strength. Available in six standard sizes; 12, 25, 45, 70, and 100 gallon capacities (with custom sizes available) in simplex or duplex pump configuration. Compact dimensions and light weight make it a simple task to replace your old cast iron unit. System accessories are of the highest quality.

These pumps are made of investment cast 316 stainless steel. The single stage impeller is of semi-open design allowing for occasional pumping of small solids without clogging. Pump is permanently aligned to the electric motor, never requiring alignment at the job site. Pumps are furnished with 250°F mechanical seals, and are equipped with a seal cavity bleed line to keep the seal lubricated and minimize the probability of premature seal failure. Pump discharge openings are NPT.

Standard motors are: three phase- 208/230/460 V TEFC, Single phase -115/208/230 V ODP. Other voltages are available on request. Other motors available are explosion proof, wash down duty, premium efficiency, and any other motor available with a 56C frame.

Motor/pump controls available for simplex, duplex, triplex, and quadplex, in single phase or three phase with a limitless array of available options for any requirement. NEMA 1 is standard enclosure. All other enclosures are available.



Condensate Recovery
Equipment



AFH 4400 Series Stainless Steel Condensate Return Units

Condensate Recovery
Equipment

EDR (SQ. FT.)	PSIG	GPM	MOTOR HP	TANK SIZE	SIMPLEX MODEL NUMBER THREE PHASE	SIMPLEX MODEL NUMBER SINGLE PHASE	DUPLEX MODEL NUMBER THREE PHASE	DUPLEX MODEL NUMBER SINGLE PHASE		
4000	10	6	1/3	12	AFH-44S3106	AFH-44S1106	AFH-44D3106	AFH-44D1106		
	20		1/3		AFH-44S3206	AFH-44S1206	AFH-44D3206	AFH-44D1206		
	25		1/2		AFH-44S3256	AFH-44S1256	AFH-44D3256	AFH-44D1256		
	30		3/4		AFH-44S3306	AFH-44S1306	AFH-44D3306	AFH-44D1306		
	40		1		AFH-44S3406	AFH-44S1406	AFH-44D3406	AFH-44D1406		
	50		1-1/2		AFH-44S3506	AFH-44S1506	AFH-44D3506	AFH-44D1506		
6000	10	9	1/3		12	AFH-44S3109	AFH-44S1109	AFH-44D3109	AFH-44D1109	
	20		1/3			AFH-44S3209	AFH-44S1209	AFH-44D3209	AFH-44D1209	
	25		1/2			AFH-44S3259	AFH-44S1259	AFH-44D3259	AFH-44D1259	
	30		1			AFH-44S3309	AFH-44S1309	AFH-44D3309	AFH-44D1309	
	40		1-1/2			AFH-44S3409	AFH-44S1409	AFH-44D3409	AFH-44D1409	
	50		1-1/2			AFH-44S3509	AFH-44S1509	AFH-44D3509	AFH-44D1509	
10000	10	15	1/3	25		AFH-44S31015	AFH-44S11015	AFH-44D31015	AFH-44D11015	
	20		1/2			AFH-44S32015	AFH-44S12015	AFH-44D32015	AFH-44D12015	
	25		1/2			AFH-44S32515	AFH-44S12515	AFH-44D32515	AFH-44D12515	
	30		1			AFH-44S33015	AFH-44S13015	AFH-44D33015	AFH-44D13015	
	40		1-1/2			AFH-44S34015	AFH-44S14015	AFH-44D34015	AFH-44D14015	
	50		2			AFH-44S35015	AFH-44S15015	AFH-44D35015	AFH-44D15015	
15000	10	22.5	1/3		25	AFH-44S31022	AFH-44S11022	AFH-44D31022	AFH-44D11022	
	20		1/2			AFH-44S32022	AFH-44S12022	AFH-44D32022	AFH-44D12022	
	25		1			AFH-44S32522	AFH-44S12522	AFH-44D32522	AFH-44D12522	
	30		1-1/2			AFH-44S33022	AFH-44S13022	AFH-44D33022	AFH-44D13022	
	40		2			AFH-44S34022	AFH-44S14022	AFH-44D34022	AFH-44D14022	
	50		3			AFH-44S35022	---	AFH-44D35022	---	
20000	10	30	1/3	45		AFH-44S31030	AFH-44S11030	AFH-44D31030	AFH-44D11030	
	20		3/4			AFH-44S32030	AFH-44S12030	AFH-44D32030	AFH-44D12030	
	25		1			AFH-44S32530	AFH-44S12530	AFH-44D32530	AFH-44D12530	
	30		1-1/2			AFH-44S33030	AFH-44S13030	AFH-44D33030	AFH-44D13030	
	40		2			AFH-44S34030	AFH-44S14030	AFH-44D34030	AFH-44D14030	
25000	10	37.5	1/2			45	AFH-44S31037	AFH-44S11037	AFH-44D31037	AFH-44D11037
	20		3/4		AFH-44S32037		AFH-44S12037	AFH-44D32037	AFH-44D12037	
	25		1-1/2		AFH-44S32537		AFH-44S12537	AFH-44D32537	AFH-44D12537	
	30		1-1/2		AFH-44S33037		AFH-44S13037	AFH-44D33037	AFH-44D13037	
	40		3		AFH-44S34037		---	AFH-44D34037	---	
30000	10	45	1/2		70		AFH-44S31045	AFH-44S11045	AFH-44D31045	AFH-44D11045
	20		3/4				AFH-44S32045	AFH-44S12045	AFH-44D32045	AFH-44D12045
	25		1-1/2	AFH-44S32545			AFH-44S12545	AFH-44D32545	AFH-44D12545	
	30		2	AFH-44S33045			AFH-44S13045	AFH-44D33045	AFH-44D13045	
	40		3	AFH-44S34045			---	AFH-44D34045	---	
40000	10	60	3/4	70			AFH-44S31060	AFH-44S11060	AFH-44D31060	AFH-44D11060
	20		1				AFH-44S32060	AFH-44S12060	AFH-44D32060	AFH-44D12060
	25		2			AFH-44S32560	AFH-44S12560	AFH-44D32560	AFH-44D12560	
	30		2			AFH-44S33060	AFH-44S13060	AFH-44D33060	AFH-44D13060	
50000	10	70	3/4			70	AFH-44S31070	AFH-44S11070	AFH-44D31070	AFH-44D11070
	20		1				AFH-44S32070	AFH-44S12070	AFH-44D32070	AFH-44D12070
	25		2				AFH-44S32570	AFH-44S12570	AFH-44D32570	AFH-44D12570
60000	15	90	1		100		AFH-44S31590	AFH-44S11590	AFH-44D31590	AFH-44D11590

Standard unit includes:

Stainless steel tank complete with flange mounted stainless steel pump close coupled to motor of HP shown 115/208-230V/1/60 ODP or 208/230/460v/3/60 3450 RPM TEFC. Simplex unit has NEMA 1 float switch and duplex has NEMA 1 mechanical alternator. Sight Glass is standard.

Additional motor options are: Washdown duty and explosion proof.

Additional Accessories: Thermometer, Electrical enclosures, Isolation valves.

Designs, materials, weights and performance ratings are approximate and subject to change without notice. Visit www.armstronginternational.com for up-to-date information.

AFH 4400 Series Stainless Steel Condensate Return Unit Accessories (210°F)



Condensate Recovery
Equipment

All Stainless Steel Electric Condensate Pumps (Simplex) 210°F Capable

AFH-4400 Series All Stainless Steel Electric Pump Packages good to 210° max water temp						
EDR (Sq. Ft.)	PSIG	GPM	Motor HP	Tank Size	Simplex Model Number Three Phase	Simplex Model Number Single Phase
4000	20	6	1/2	12	AFH-44S32FT206	AFH-44S12FT206
	25		1/2		AFH-44S32FT256	AFH-44S12FT256
	30		3/4		AFH-44S32FT306	AFH-44S12FT306
6000	20	9	1/2	12	AFH-44S32FT209	AFH-44S12FT209
	25		3/4		AFH-44S32FT259	AFH-44S12FT259
	30		3/4		AFH-44S32FT309	AFH-44S12FT309
10000	20	15	3/4	25	AFH-44S32FT2015	AFH-44S12FT2015
	25		1/2		AFH-44S32FT2515	AFH-44S12FT2515
	30		-----		-----	-----
15000	20	22.5	1/2	25	AFH-44S32FT2022	AFH-44S12FT2022
	25		1/2		AFH-44S32FT2522	AFH-44S12FT2522
	30		-----		-----	-----

*Use standard Simplex/Duplex drawings.

All Stainless Steel Electric Condensate Pumps (Duplex) 210°F Capable

AFH-4400 Series All Stainless Steel Electric Pump Packages good to 210° max water temp						
EDR (Sq. Ft.)	PSIG	GPM	Motor HP	Tank Size	Duplex Model Number Three Phase	Duplex Model Number Single Phase
4000	20	6	1/2	12	AFH-44D32FT206	AFH-44D12FT206
	25		1/2		AFH-44D32FT256	AFH-44D12FT256
	30		3/4		AFH-44D32FT306	AFH-44D12FT306
6000	20	9	1/2	12	AFH-44D32FT209	AFH-44D12FT209
	25		3/4		AFH-44D32FT259	AFH-44D12FT259
	30		3/4		AFH-44D32FT309	AFH-44D12FT309
10000	20	15	3/4	25	AFH-44D32FT2015	AFH-44D12FT2015
	25		1/2		AFH-44D32FT2515	AFH-44D12FT2515
	30		-----		-----	-----
15000	20	22.5	1/2	25	AFH-44D32FT2022	AFH-44D12FT2022
	25		1/2		AFH-44D32FT2522	AFH-44D12FT2522
	30		-----		-----	-----

*Use standard Simplex/Duplex drawings.



AFH 4400 Series Stainless Steel Condensate Return Unit Accessories (212°F)

All Stainless Steel Electric Condensate Pumps (Simplex) 212°F Capable

AFH-4400 Series All Stainless Steel Electric Pump Packages good to 212° max water temp

EDR (Sq. Ft.)	PSIG	GPM	Motor HP	Tank Size	Simplex Model Number Three Phase	Simplex Model Number Single Phase
4000	20	6	1/2	12	AFH-44S32FTE206	AFH-44S12FTE206
	25		1/2		AFH-44S32FTE256	AFH-44S12FTE256
	30		3/4		AFH-44S32FTE306	AFH-44S12FTE306
6000	20	9	1/2	12	AFH-44S32FTE209	AFH-44S12FTE209
	25		3/4		AFH-44S32FTE259	AFH-44S12FTE259
	30		3/4		AFH-44S32FTE309	AFH-44S12FTE309
10000	20	15	3/4	25	AFH-44S32FTE2015	AFH-44S12FTE2015
	25		1/2		AFH-44S32FTE2515	AFH-44S12FTE2515
	30		-----		-----	-----
15000	20	22.5	1/2	25	AFH-44S32FTE2022	AFH-44S12FTE2022
	25		1/2		AFH-44S32FTE2522	AFH-44S12FTE2522
	30		-----		-----	-----

*Use standard Simplex/Duplex drawings.

Condensate Recovery Equipment

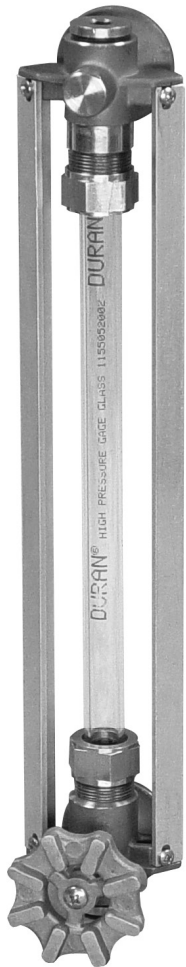
All Stainless Steel Electric Condensate Pumps (Duplex) 212°F Capable

AFH-4400 Series All Stainless Steel Electric Pump Packages good to 212° max water temp

EDR (Sq. Ft.)	PSIG	GPM	Motor HP	Tank Size	Duplex Model Number Three Phase	Duplex Model Number Single Phase
4000	20	6	1/2	12	AFH-44D32FTE206	AFH-44D12FTE206
	25		1/2		AFH-44D32FTE256	AFH-44D12FTE256
	30		3/4		AFH-44D32FTE306	AFH-44D12FTE306
6000	20	9	1/2	12	AFH-44D32FTE209	AFH-44D12FTE209
	25		3/4		AFH-44D32FTE259	AFH-44D12FTE259
	30		3/4		AFH-44D32FTE309	AFH-44D12FTE309
10000	20	15	3/4	25	AFH-44D32FTE2015	AFH-44D12FTE2015
	25		1/2		AFH-44D32FTE2515	AFH-44D12FTE2515
	30		-----		-----	-----
15000	20	22.5	1/2	25	AFH-44D32FTE2022	AFH-44D12FTE2022
	25		1/2		AFH-44D32FTE2522	AFH-44D12FTE2522
	30		-----		-----	-----

*Use 212°F Elevated Receiver drawing.

AFH 4400 Series Stainless Steel Condensate Return Unit Accessories



Sight Gauge Assembly

SS bottom fixture with shut-off valve, SS top fixture, 2- heavy duty SS glass guards, and tempered glass tube.

Stainless Steel Butterfly Isolation Valves (Optional)

Butterfly Isolation Valves between pump and receiver are available. These valves are of great value when removing one pump of a duplex system without having to shut the system down.

Float Switches

Float Switches are heavy duty 2 pole with stainless steel rod and float. Duplex alternating float switch includes high level lag pump on feature.

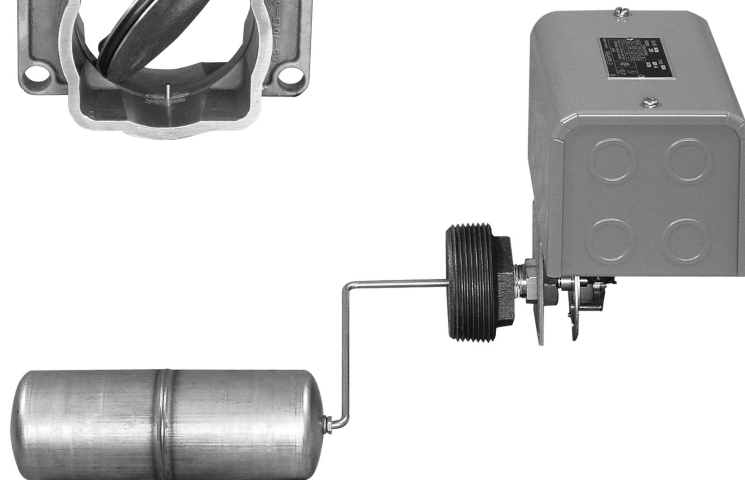
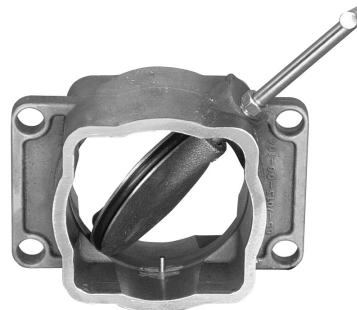
Nema 1 standard, Nema 4 and Nema 7/9 are available.

Pressure Gauges (Optional) Not Shown

2 1/2" Liquid Filled SS Casing

Thermometer (Optional)

2 1/2" Diameter face, Bi-metal, 4" stem, Range 32 - 250°F.



Condensate Recovery
Equipment