

# Hot & Cold Water Hose Stations and Mixing Units

## Assembly 3033—Standard

Model 320 3/4" (20 mm) inlets/outlet(s) Thermostatic Mixing Valve (TMV) of disposable cartridge construction. TMV features unique full range temperature control from full cold to field adjustable maximum temperature limit stop in a single handle turn. TMV can be set and locked to a single temperature and will hold outlet temperatures +/- 2°F (1°C) in the event of inlet pressure and/or temperature fluctuation/change.\* Thermal shutdown capability protects operator in the event of an inlet supply failure. This model includes integral tandem valve comprising two (2) full port ball valves cross-linked by a stainless steel bridge piece and lever for simultaneous on/off control of BOTH inlet supplies. Outlet thermometer of stainless steel construction and shatter-proof Lexan® lens. Unit is mounted on a heavy-duty stainless steel single-piece hose rack that is suitable for wall or column installation. Supplied with 25' (7.6 m) white 300 psi (20 bar)/200°F (93°C) rated washdown hose with "live" swivel adaptors. Rubber cushioned 10 gpm (37.8 lpm) rated water saver spray nozzle\*\* and nozzle hook supplied as standard.



Unit is supplied fully assembled and pressure tested with strain relief and 3/4" (20 mm) coupling for hose attachment. Inlet check valves are required (not supplied).

**\* IMPORTANT NOTE: Other thermostatic products used for this application cannot provide full cold to field adjustable maximum limit stop temperature range or access temperatures within 5°F (2°C) of either inlet supply temperature.**

\*\* 038TG nozzle option also available. Refer to page HWS-75.

## Assembly 3033S—Premium

As above with corrosion-resistant industrial nickel-plated components, integral spring-loaded inlet check valves, stainless steel rubber-cushioned 10 gpm rated water and "Safety Yellow" 400 psi (28 bar)/190°F (88°C) rated washdown hose with "anti-kink" external spring guard and "live" swivel adaptors.

## Technical Specifications

- 3/4" (20 mm) NPT inlets and 3/4" (20 mm) NPT outlets
- DZR brass/stainless alloy/polymer construction
- Operating pressures
  - Maximum: 150 psi (10 bar)
  - Minimum: 10 psi (.7 bar)
- Maximum pressure loss ratio: 10 to 1†
- Shipping weight 62 lbs (28 kg)

† Ratio of inlet pressures accounting for restrictions on valve outlet (minus back pressure).

## Assembly 3033—Standard

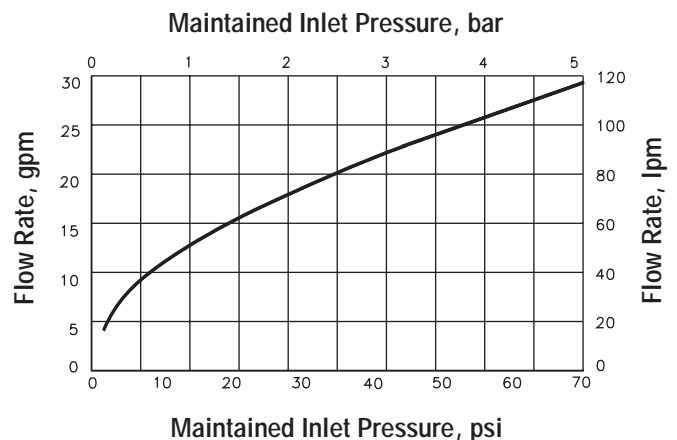
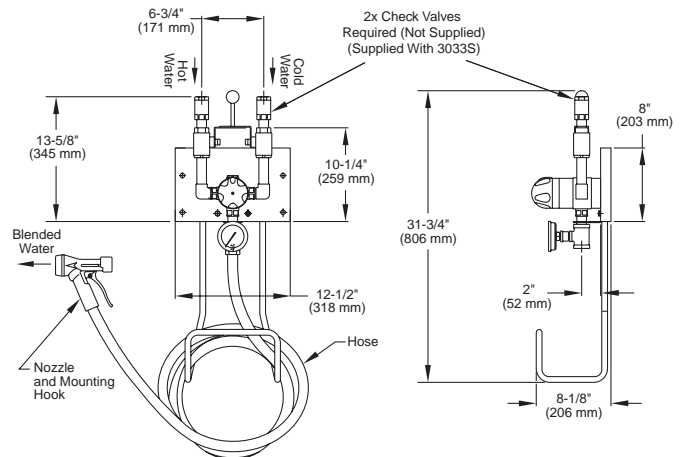
For a fully detailed certified drawing, refer to CDLW #1022.

## Assembly 3033S—Premium

For a fully detailed certified drawing, refer to CDLW #1018.

## Flow Rates

The capacity chart indicates the flow rates to be expected at mid-blend (equal proportions of hot and cold water) and with an **unrestricted open outlet**. Lower flow rates should be anticipated depending upon the length of washdown hose and spray nozzle selected.



All dimensions and weights are approximate. Use certified print for exact dimensions. Design and materials are subject to change without notice.