



# Armstrong® Hot & Cold Water Hose Stations and Mixing Units

## Assembly 3031—Standard

Model 320 3/4" (20 mm) inlets/outlet(s) Thermostatic Mixing Valve (TMV) of disposable cartridge construction. TMV features unique full range temperature control from full cold to field adjustable maximum temperature limit stop in a single handle turn. TMV can be set and locked to a single temperature and will hold outlet temperatures +/- 2°F (1°C) in the event of inlet pressure and/or temperature fluctuation/change.\* Thermal shutdown capability protects operator in the event of an inlet supply failure. This model includes integral tandem valve comprising two (2) full port ball valves cross-linked by a stainless steel bridge piece and lever for simultaneous on/off control of **Both** inlet supplies. Complete assembly is mounted on a heavy-duty stainless steel backplate that is suitable for wall or column installation.

Unit supplied fully assembled and pressure tested with strain relief and 3/4" (20 mm) coupling for hose attachment. Inlet check valves are required (not supplied).

For a fully detailed certified drawing, refer to CDLW #1020.

**\*IMPORTANT NOTE: Other thermostatic products used for this application cannot provide full cold to field adjustable maximum limit stop temperature range or access temperatures within 5°F (2°C) of either inlet supply temperature.**

## Assembly 3031S—Premium

As above with corrosion-resistant industrial nickel-plated components and integral spring-loaded check valves.

For a fully detailed certified drawing, refer to CDLW #1016.

## Assembly 3032—Standard

Supplied as 3031 mounted on a heavy-duty stainless steel single-piece hose rack that is suitable for wall or column installation.

Unit supplied fully assembled and pressure tested with strain relief and 3/4" (20 mm) coupling for hose attachment. Inlet check valves are strongly recommended.

For a fully detailed certified drawing, refer to CDLW #1021.

## Assembly 3032S—Premium

As above with corrosion-resistant industrial nickel-plated components and integral spring-loaded check valves.

For a fully detailed certified drawing, refer to CDLW #1017.

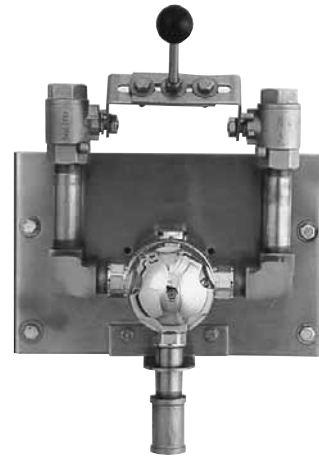
## Technical Specifications

- 3/4" (20 mm) NPT inlets and 3/4" (20 mm) NPT outlet
- DZR brass/stainless alloy/polymer construction
- Operating pressures
  - Maximum: 150 psi (10 bar)
  - Minimum: 10 psi (.7 bar)
- Maximum pressure loss ratio: 10 to 1\*\*
- Shipping weights
  - 3031: 30 lbs (13 kg)
  - 3032: 32 lbs (14 kg)

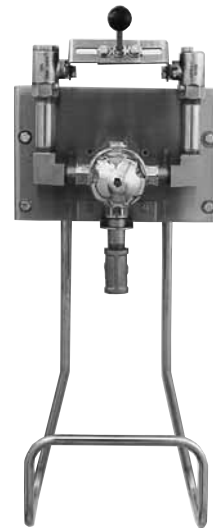
\*\*Ratio of inlet pressures accounting for restrictions on valve outlet (minus back pressure).

## Flow Rates

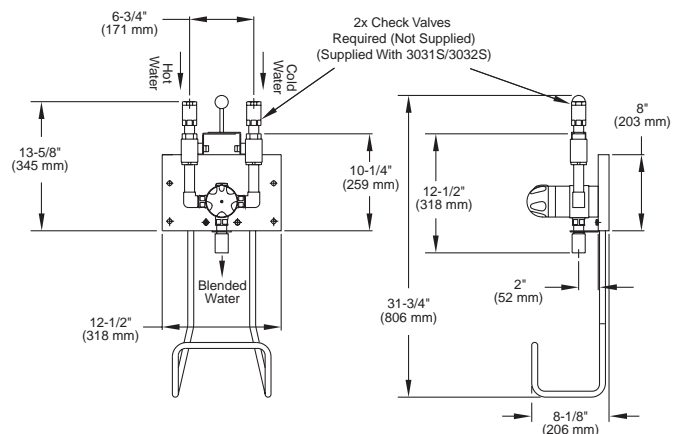
The capacity chart for 3031/3032 appears on page HWS-52 under 3033.



Assembly 3031



Assembly 3032



All dimensions and weights are approximate. Use certified print for exact dimensions. Design and materials are subject to change without notice.